

## Performance criteria

Door width acc. to EN	≤ 1,400 mm	3 – 6
Dimensions (incl. mounting plate)	Length in mm	290
	Depth in mm	39,6
	Height in mm	54
Mounting type Concealed	Door leaf DIN-L	■
	Door leaf DIN-R	■
Latching speed (continuously adjustable)		■
Closing speed (continuously adjustable)		■
Back-check (continuously adjustable)		■
Rebate space dimensions:	8.5 - 12 mm	
	12.5 - 16 mm	
Door opening angle		up to 120°
Tested to EN standards		<b>EN 1154</b>
Certified according to EU regulations		<b>CE</b>



Wooden door

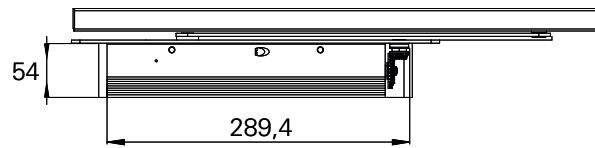


Steel door

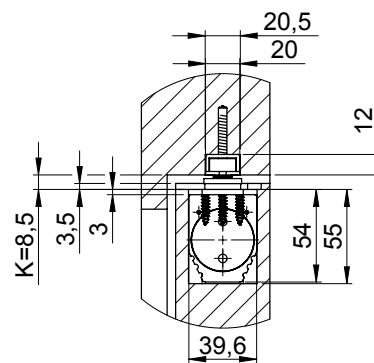


Profile door

- Yes
- No
- Optional



Dimensions: ECO ITS-630 (3-6)



## ECO ITS-630 (3-6) ■ ... in special applications

ECO is proud to present the new ECO ITS-630 (3-6) to expand its range of concealed door closers. Engineered to handle large and heavy doors weighing up to 200 kg with a leaf width of up to 1,400 mm under EN 6 standards, the ECO ITS-630 (3-6) is a standout choice. Just like the ITS-420 (2-4), the ECO ITS-630 (3-6) is tested according to EN 1154 and CE certified, making it suitable for installation in standard, fire protection and smoke control doors.

The closing force of the ECO ITS-630 (3-6) is continuously adjustable – even once installed. What's more, the closing speed, latching speed and back-check can all also be adjusted continuously once installed. With its newly reworked cam gearing design, the ITS-630 (3-6) features a steeply sloping opening torque, fulfilling not only the requirements of DIN SPEC 1104, but also the standards for the construction of accessible buildings according to **DIN 18040-1**. The maximum opening angle of 120° necessitates the use of a (floor-mounted) door stop.

Together with the ECO ITS-420 (2-4), concealed ECO door closers can be installed on any door throughout the premises.

The ECO ITS-630 (3-6) can be installed in both DIN-L and DIN-R configurations, whether in standard installation (in the door leaf) or frame installation (on the frame). It is also suitable for use on both single- and double-leaf doors. When paired with the EN 1155 tested and approved ECO IS-EF or ECO IS-SR-EF slide rails, it is possible to implement electromechanical hold-open functions (IBO). This combination, when used with the separately assembled ECO RSZ III, can serve as a hold-open system with DIBt design certification. There is even the option to use wired smoke detectors or a wireless radio system (wireless smoke detectors and wireless manual switches).



Standards



Benefits/USPs



Continuously adjustable closing force EN 3–6.  
High-quality, thermostable valves for continuous adjustable CS, LS and BC.



Suitable for combination with ECO IS-12, IS-21, IS-EF, IS-SR and IS-SR-EF.

ITS-630: Benefits/USPs

- Concealed door closer **EN 3–6** tested and certified in accordance with **EN 1154**, for use on FS/RS doors
- Closing force **EN 3–6** continuously adjustable (even once installed)
- Closing speed, latching speed and opening damping continuously and precisely adjustable by means of valves (even once installed)
- Max. door leaf weights of 220 kg
- Compact design (HxW = 54x39 mm) for use on doors with a leaf thickness of 45 mm and above
- Suitable for the construction of accessible buildings according to **DIN 18040**
- Special model for frame installation (ITS-630 in the frame, slide rail in the door leaf)
- Door thicknesses up to 100 mm
- Suitable for use with the ECO RSZ II surface-mounted (transom installation) smoke control centre – approved as a hold-open system by the DIBt (design certification)
- IS-EF and IS-SR-EF approved in combination with ECO RSZ III as a hold-open system by DIBt (design certification)
- Compatible with wired ORS-142 and TDS 247 ceiling detectors
- Approved for use with the FM-155-F / ORS-155-F / HAT radio smoke system

Suitable for the following door types



Wooden door



Steel door



Profile door

Suitable for the following building types



Health



Public



Educational



Office

**System overview**

**Concealed door closers**

Designation	Tests	Function	Max. leaf width	Max. opening angle	Max. hold-open angle
ECO ITS-420 (2-4)	F / CE	Concealed door closer	1,100 mm	120 °	-

ECO ITS-630 (3-6)	F / CE	Concealed door closer	1,400 mm	120 °	-
-------------------	--------	-----------------------	----------	-------	---

**Single-leaf systems**

ECO IS-12	F / CE	Concealed slide rail	1,400 mm	120 °	-
-----------	--------	----------------------	----------	-------	---

ECO IS-21	F / CE	Concealed slide rail	1,400 mm	120 °	-
-----------	--------	----------------------	----------	-------	---

ECO IS-21-FKL-E	CE	Concealed slide rail with mechanical hold-open device	1,400 mm	110 °	105 °
-----------------	----	---	----------	-------	-------

ECO IS-21-EF (3-5)	F / CE	Concealed slide rail with electromechanical hold-open device	1,250 mm	110 °	100 °
--------------------	--------	--	----------	-------	-------

**Double-leaf systems**

Designation	Tests	Function	Max. hinge gap	Max. opening angle	Max. hold-open angle
-------------	-------	----------	----------------	--------------------	----------------------

ECO IS-SR (3-6)	F / CE	Concealed door coordinator	2,800 mm	120 °	-
-----------------	--------	----------------------------	----------	-------	---

ECO IS-SR-EF (3-5)	F / CE	Concealed door coordinator with electromechanical hold-open device (inside passive leaf)	2,500 mm	120 °	100 °
--------------------	--------	--	----------	-------	-------

**Article numbers**

**ECO ITS-420 (2-4)**



Concealed door closers incl. lever arm and forend		Art. no.
ECO ITS-420 (2-4)	DIN L K = 8-12 mm	5030070543
ECO ITS-420 (2-4)	DIN L K = 12-16 mm	5030070545
ECO ITS-420 (2-4)	DIN R K = 8-12 mm	5030070544
ECO ITS-420 (2-4)	DIN R K = 12-16 mm	5030070546
ECO ITS-630 (3-6)	DIN L K = 8-12 mm	5030068678
ECO ITS-630 (3-6)	DIN L K = 12-16 mm	5030068681
ECO ITS-630 (3-6)	DIN R K = 8-12 mm	5030068679
ECO ITS-630 (3-6)	DIN R K = 12-16 mm	5030068682
ECO ITS-630 (3-6)	(body only, DL=DR, without Lever)	5030070991
Lever ITS-630 DL 8-12	DIN-L K= 8-12 mm	5030070989
Lever ITS-630 DR 8-12	DIN-R K=8-12 mm	5030070990

**ECO ITS-630 (3-6)**



**ECO IS-12**



**ECO IS-21**



**ECO IS-EF**

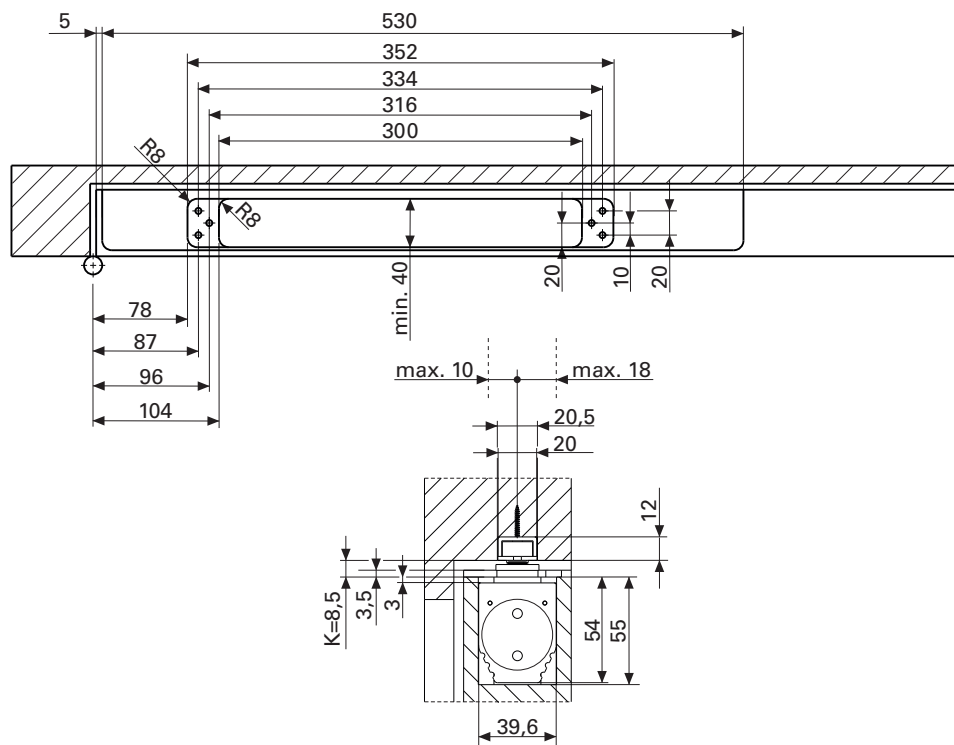
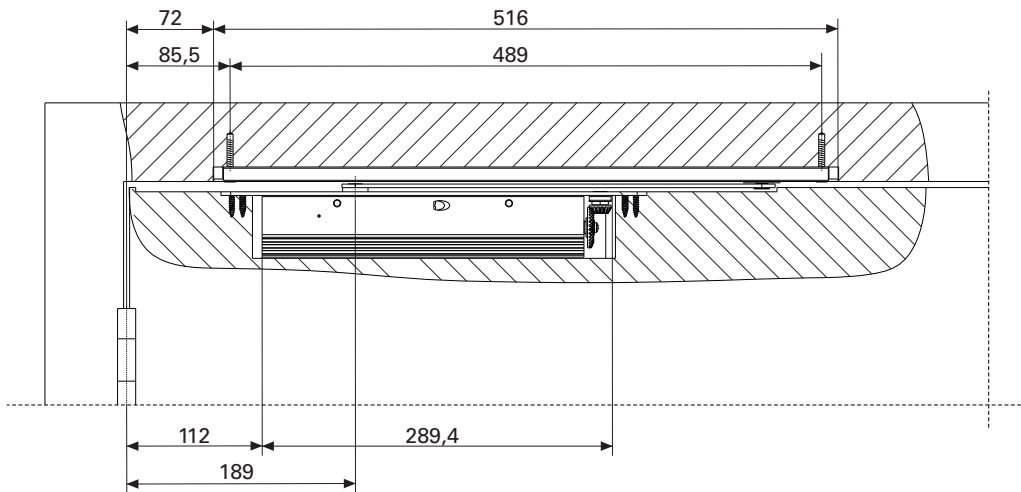
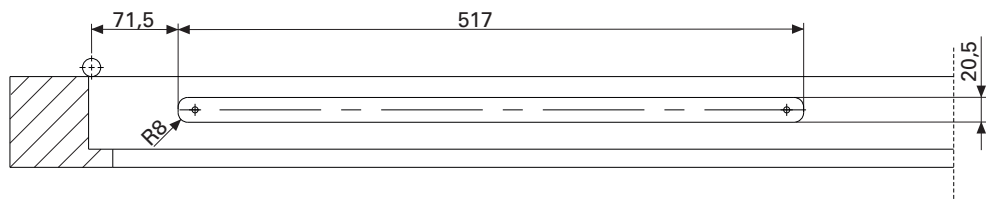
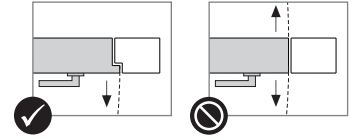
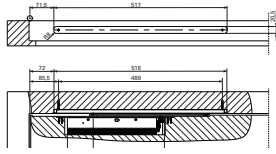


**ECO IS-SR-EF**

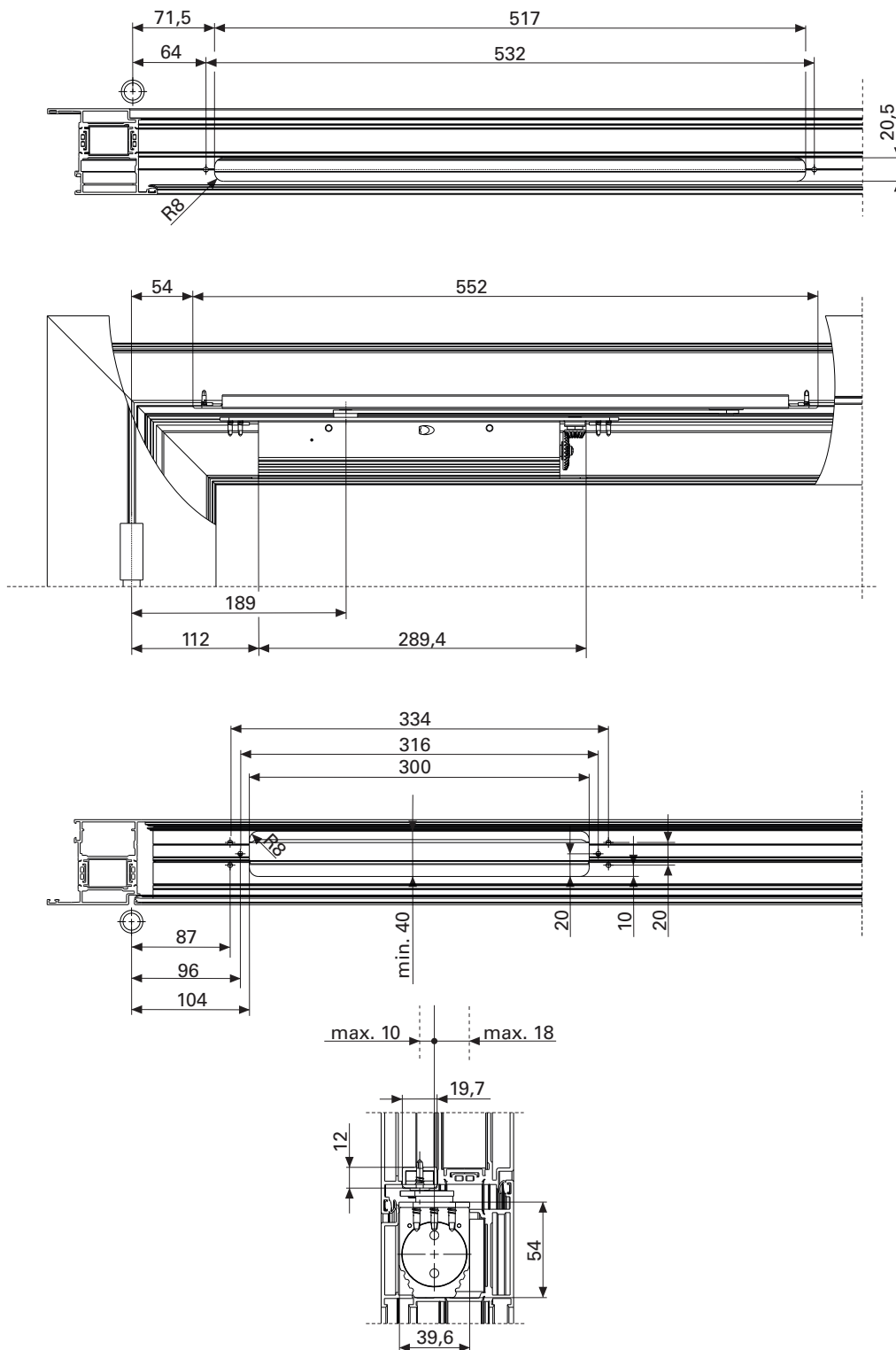
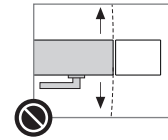
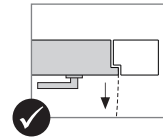
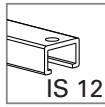
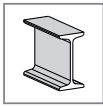


Concealed slide rails		
ECO IS-12	12x20x500 mm	5030051409
ECO IS-21	21x31x500 mm	5030054527
ECO IS-21-FKLE	21x31x500 mm	5030054528
ECO IS-EF	21x31x550 mm	5030054384
ECO IS-SR	21x31x669 mm	5030062684
ECO IS-SR-EF	21x31x669 mm	5030062685

# Installation example (milled dimensions) for wooden doors



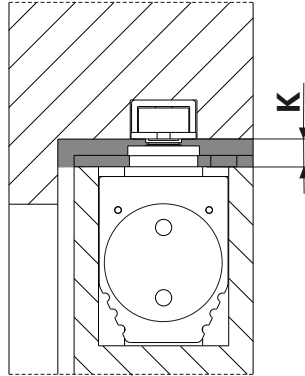
# Installation example for profile frames



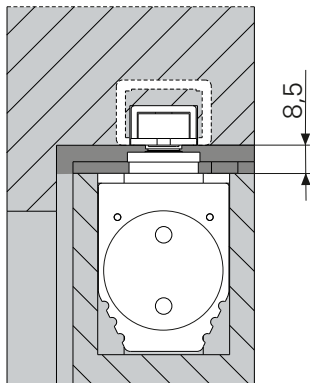
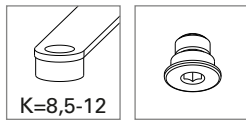
# Rebate geometry (lever arm nut versions)



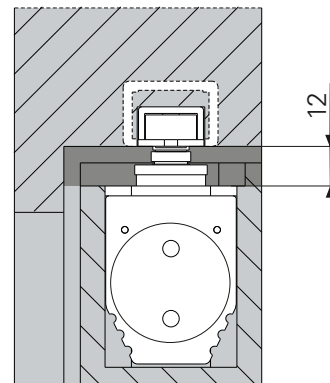
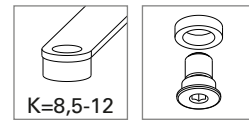
K
8.5
12
12.5
16



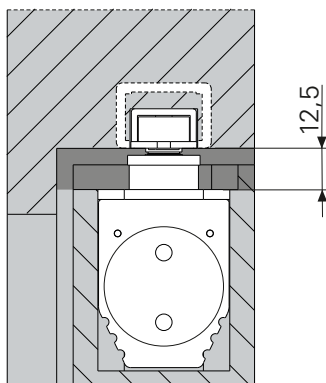
## K 8.5



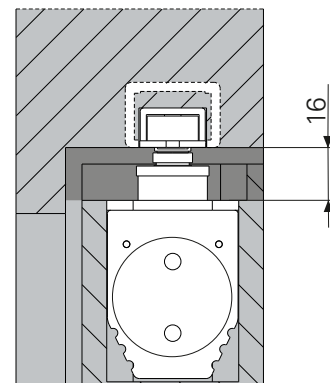
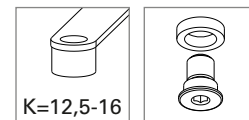
## K 12



## K 12.5



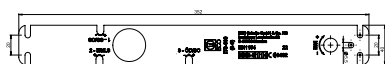
## K 16



# Accessory

Fastening elements	Description	Material/colour	Art. no.
BE IS 12	Fastening element for IS 12	Zinc die casting	5030070549
BE IS 21	Fastening element for IS 21	Zinc die casting	5030070550

Fastening elements	Description	Material/colour	Art. no.
ÖB IS 12	Adjustable opening limiter for IS 12	Nylon, beige	5030070551
ÖB IS 21	Adjustable opening limiter for IS 21	Nylon, beige	5030065990
FKLE IS 12	Hold-open device Adjustable for IS 12	Nylon, black	5030070552
FKLE IS 21	Hold-open device Adjustable for IS 21	Nylon, black	5030019724



Accessory	Description	Material/colour	Art. no.
ECO ISO Stulp 630	Insulation insert for ECO ITS-630*	Parosol, black	On request

\* (Foaming insulating layer insert for fire protection requirements) inserted above the forend of the ECO ITS-630 (3-6).