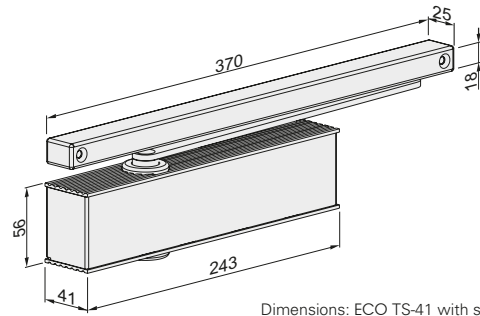


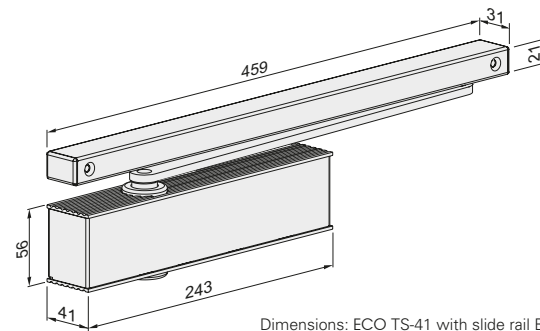
Performance criteria

Closing force (continuously adjustable)	according to EN standards	1 - 4
Door width mm	according to EN	≤ 1,100
Dimensions (incl. mounting plate)	Length in mm	243
	Depth in mm	41
	Height in mm	56
Mounting plate in accordance with EN 1154 (supplementary sheet 1) with GS B		■
Hinge / hinge-opposite side		■
DIN L / R		■
Latching speed (continuously adjustable)		■
Closing speed (continuously adjustable)		■
Back check (constant)		■
Delayed action (continuously adjustable)		-
Tested to EN standards		EN 1154
Suitable for fire and smoke control doors		F
Certified according to EU regulations		CE
Construction of accessible buildings		DIN 18040

- Yes
- No
- Optional

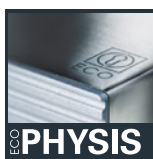


Dimensions: ECO TS-41 with slide rail K



Dimensions: ECO TS-41 with slide rail B

ECO Newton TS-41 ■ Highlights at a glance



*optional



Details for ECO Newton highlights can be found at the beginning of this section.



Body: Silver RAL 9006
ECOclíc: Stainless steel satin finish



Body + ECOclíc: White RAL 9016



Body + ECOclíc: Black RAL 9005

Slide rails and lever arms are always delivered in the same colour as the body.

Applications for the ECO Newton TS-41

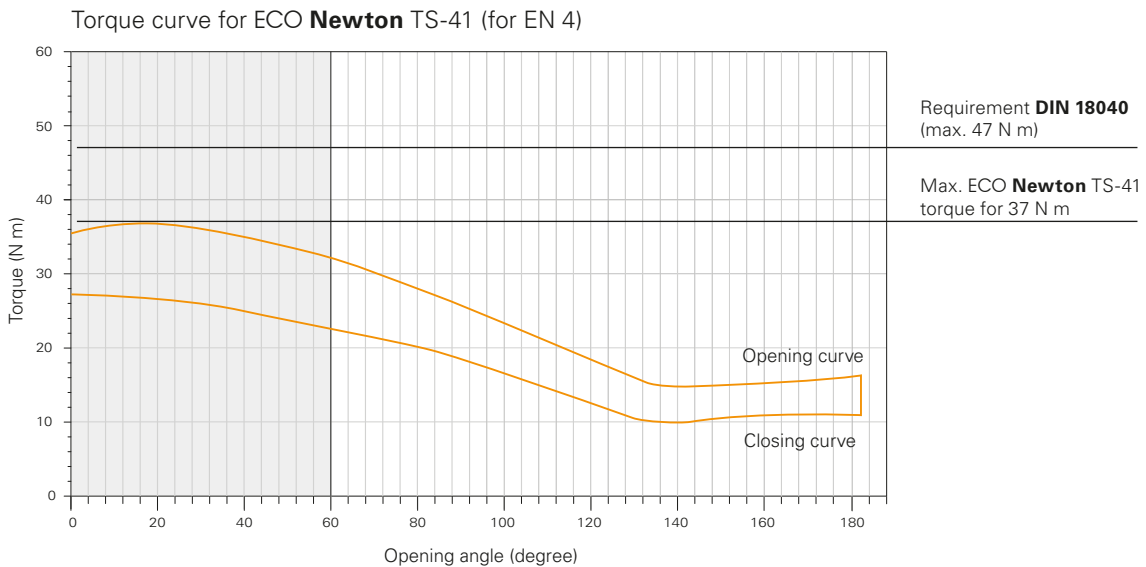
The ECO **Newton TS-41** is designed for light to medium functional doors (**EN 1154** size 4) and is used wherever elegant design, functionality, ease of opening and cost-conscious construction are required. Closing speed and latching speed can be freely adjusted, the back-check (from 70° door opening) is already pre-installed in every closer.

With its new gearing design, the ECO **Newton TS-41** achieves a high degree of efficiency, which strikes the ideal balance between opening and closing. The forces which arise when a door is opened are reduced to a minimum, without any compromises on the reliability of the door closing. For the user, this means that distinctly less torque is required to open a door in comparison to other similar door closers. This makes the ECO **Newton TS-41** the perfect problem solver for standard and special-function doors, especially for clinics, care homes, kindergartens and schools.

The ECO **Newton TS-41** complies with **DIN 18040** (construction of accessible buildings with requirements for highly efficient smooth-running doors). The maximum opening torque at closing force EN 4 is only about 37 N m (the **DIN 18040** standard requires a maximum of 47 N m).

Germany:
DIN 18040 – Construction of accessible buildings

France:
PMR



Extracts from DIN 18040-1:2010-10

4.3.3.3 Requirements on the design of the door

It must be possible to open and close doors with a low force (max. 25 Nm), otherwise, automatic door systems are required, see **DIN 18650-1** and **DIN 18650-2**, according to table 1 in this standard, from line 12. If door closers are required, then they must be set so that the opening torque does not exceed size 3 according to **DIN EN 1154** (max. 47 Nm).

It is recommended to use door closers with continuously adjustable closing force.

So that people with restricted mobility have enough time to pass safely through the door, closing delays may be necessary.

For fire and smoke control doors, hold-open systems (e.g. holding magnet or free swing door closer) should be used.

Order information

ECO Newton TS-41 ■ Slide rail closer

Product information

Closing force size 1–4, tested acc. to **EN 1154** (for door widths up to 1,100 mm), continuously adjustable. Latching speed and closing speed freely adjustable at the side. Constant back-check. Same model for DIN L/R. Depth only 41 mm. Weight: 1,380 g. Max. door opening angle: 180°

- **ECOunity:** The ECO **Newton** door closer portfolio covers all door dimensions with only two basic bodies. One model for all four mounting types
- **ECOphysis:** Door closer and slide rail form a positive-fit unit in aluminium and stainless steel
- **ECOcllic:** Stainless steel cover encloses the aluminium body with the strength of spring steel, thus concealing all setting parameters safely against unauthorised access
- **ECOvalve:** Simple, high-precision and permanently secure adjustment of all parameters of the closing process using a standard Allen key
- **ECOcover²:** Optional stainless steel cover for the ECO **Newton** door closer or slide rail. Order the lever arm in stainless steel for a harmonious overall appearance.
- **ECOgreen:** Intelligent design and carefully planned use of materials significantly help save resources
- **ECOLine:** Slide rail and door closer are flush when completely installed. All materials are perfectly colour-matched – right through to the end caps on the slide rail K.
- **ECOvario:** Permits the use of all slide rail door closers and can even be combined with different door leaf widths. Thus an optimum price-performance ratio can be found for every individual door situation.

New overall packaging:

TS-41 B: (Installation as per DIN hole group) Complete set incl. door closer body, slide rail B, square lever B, mounting plate, mounting instructions, paper template and fixing accessories.

TS-41 K: (Direct installation) Complete set incl. door closer body, slide rail K, square lever K, paper template and fixing accessories)

Article numbers

ECO TS-41 EN 1-4



Closer body with lever arm and slide rail B	Colour	Art. no.	Closer body with lever arm, without slide rail	Colour	Art. no.
ECOTS-41 with GS-B	Silver RAL 9006*	5030011746	ECOTS-41	Silver RAL 9006*	5030011049
ECOTS-41 with GS-B	White RAL 9016	5030011753	ECOTS-41	White RAL 9016	5030019358
ECOTS-41 with GS-B	Black RAL 9005	5030029373	ECOTS-41	Black RAL 9005	5030059247

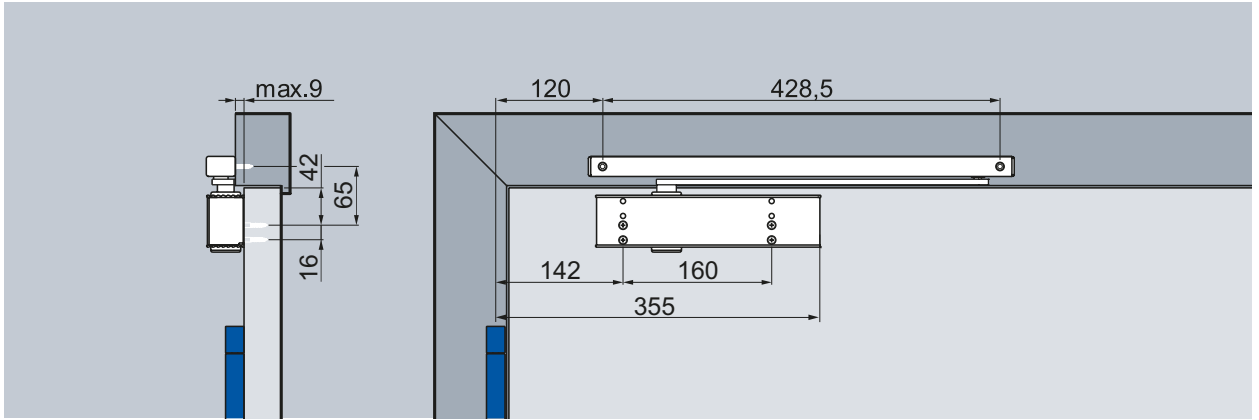


Closer body with lever arm and slide rail K	Colour	Art. no.
ECOTS-41 with GS-K	Silver RAL 9006*	5030010992
ECOTS-41 with GS-K	White RAL 9016	5030011000
ECOTS-41 with GS-K	Black RAL 9005	5030037962

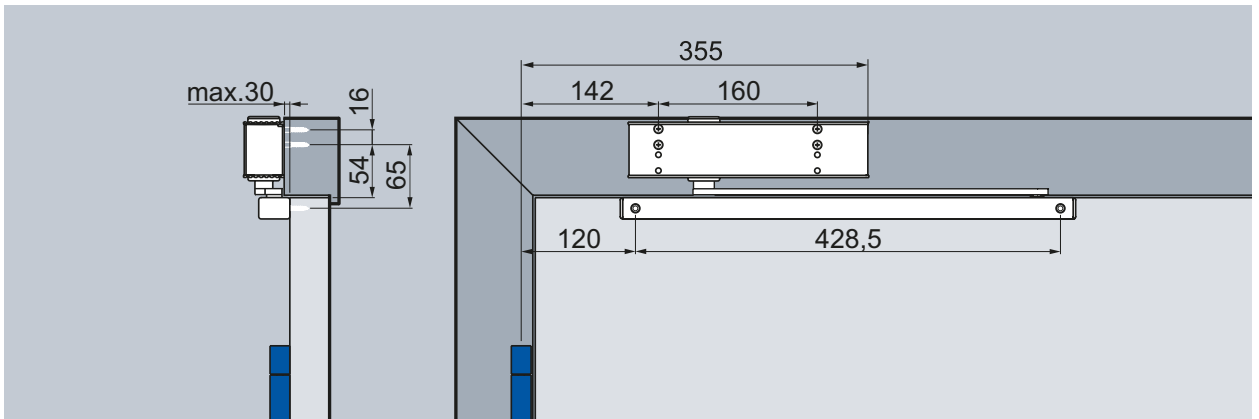
*Closer body unit in silver RAL 9006, ECOcllic in matt stainless steel

Hinge side

Installation with slide rail B, figure DIN L door, DIN R mirrored

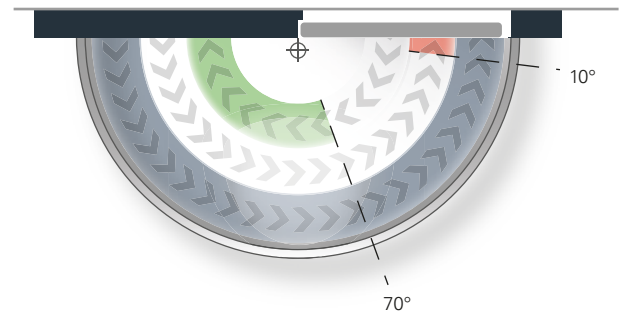


Standard installation with slide rail B, hinge side (direct installation, with mounting plate)



Frame installation with slide rail B, hinge side (direct installation, with mounting plate)

Closing forcediagram ECO Newton TS-41, hinge side



Closing force:

freely adjustable

min. Size 1

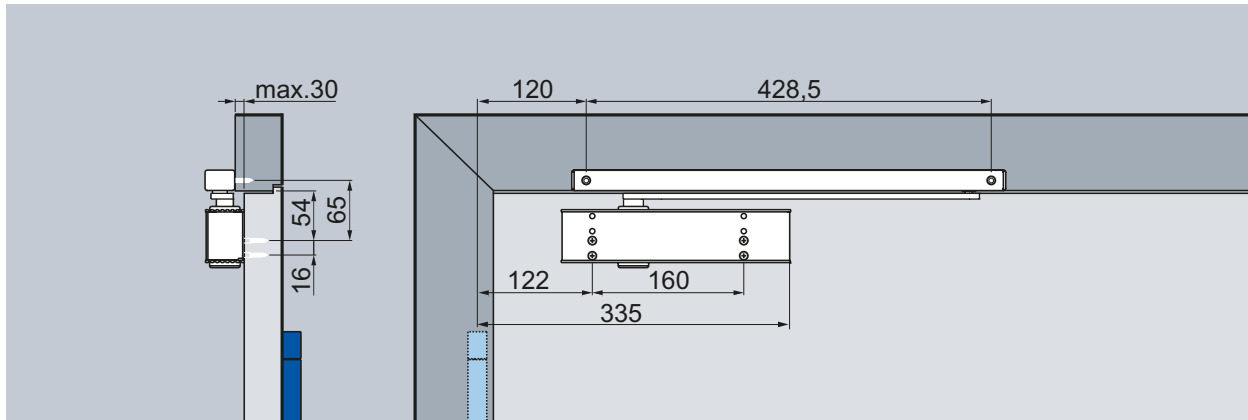
max. Size 4

Delivery state:

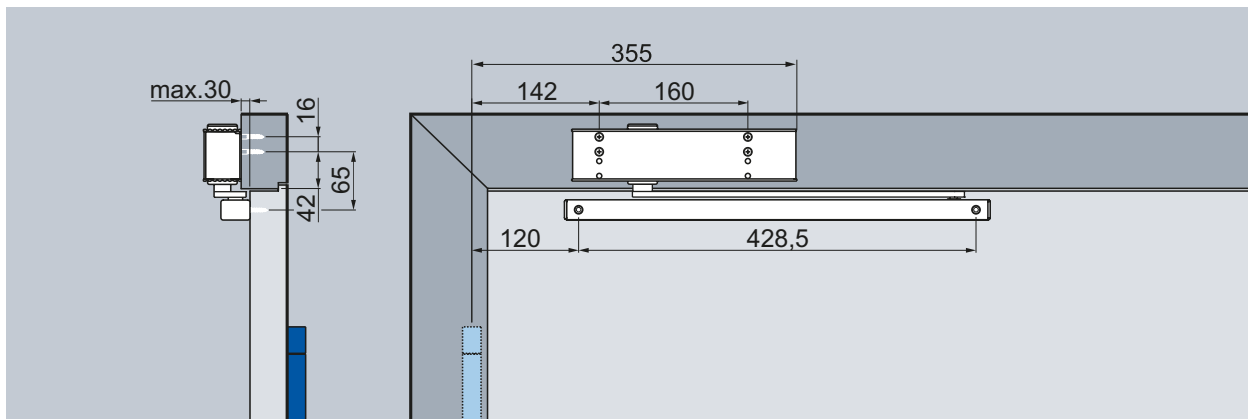
Size 3

Opposite hinge side

Installation with slide rail B, figure DIN R door, DIN L mirrored



Standard installation with slide rail B, opposite hinge side (direct installation, with mounting plate)



Frame installation with slide rail B, opposite hinge side (direct installation, with mounting plate)

Closing speed

Continuously adjustable closing speed from 140°* – 0°.

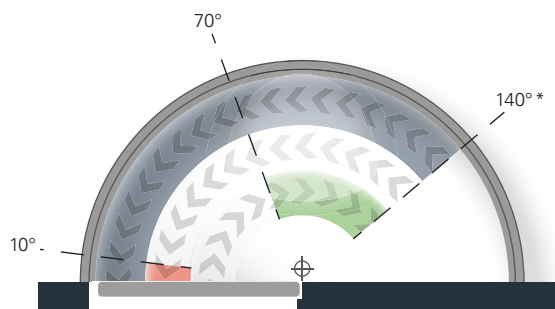
Latching speed

Increases the closing speed and thus the closing force for safe closing of the door, e.g. to overcome door seals, latches and air pressure. Continuously adjustable, active from 10° – 0°.

Back-check (constant)

Reduces the opening speed from 70° and thus prevents the door from slamming. Constant back-check.

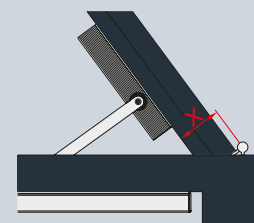
Closing forcediagram ECO Newton TS-41, opposite hinge side



*Varies according to door thickness and hinge type.

Opening range must be limited by a door stop!

X = max. 95 mm!



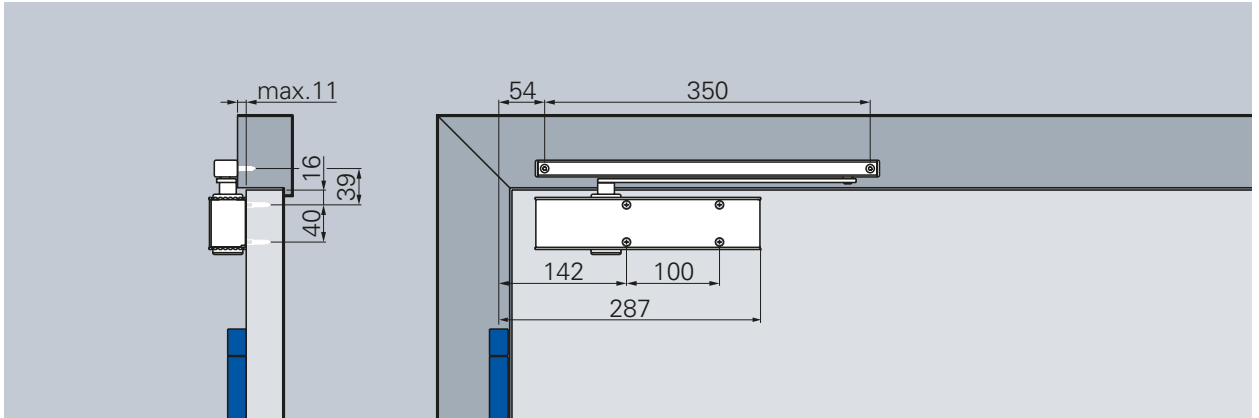
(Please consult our technical support team in the event of deviations.)

Back-check not available for frame installation

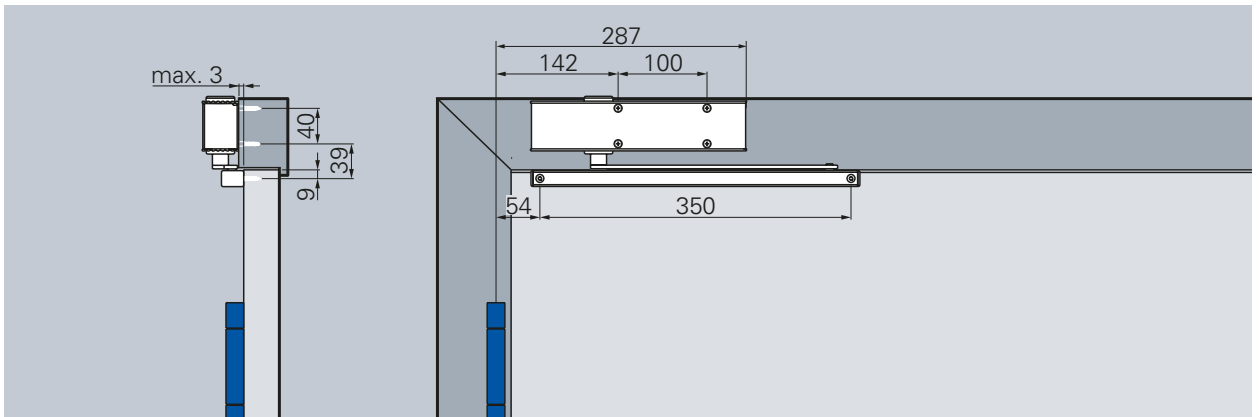


Hinge side

Installation with slide rail K, figure DIN L door, DIN R mirrored



Standard installation with slide rail K, hinge side (direct installation, without mounting plate)



Frame installation with slide rail K, hinge side (direct installation, without mounting plate)

Closing speed

Continuously adjustable closing speed from 180°–0°.

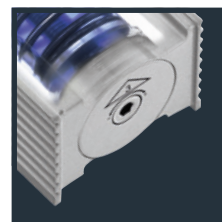
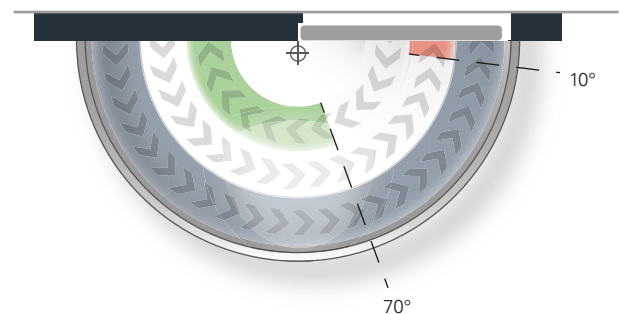
Latching speed

Increases the closing speed and thus the closing force for safe closing of the door, e.g. to overcome door seals, latches and air pressure. Continuously adjustable, active from 10° – 0°.

Back-check (constant)

Reduces the opening speed from 70° and thus prevents the door from slamming. Constant back-check.

Closing forcediagram ECO **Newton TS-41**, hinge side



Closing force:

freely adjustable

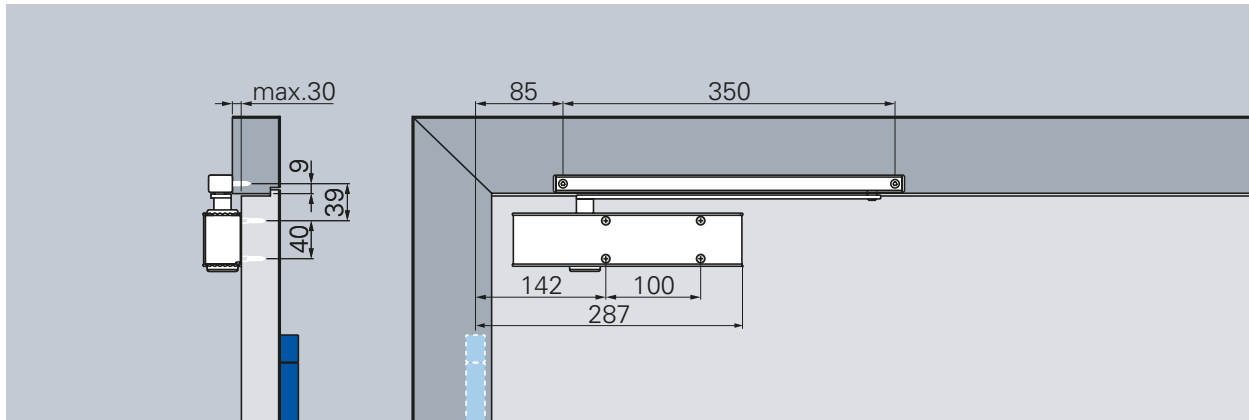
min. Size 1
max. Size 4

Delivery state:

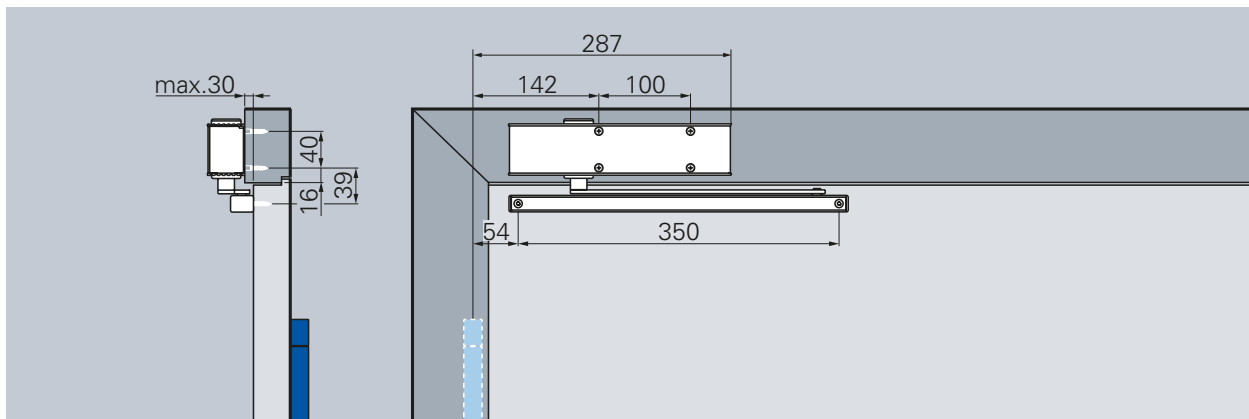
Size 3

Opposite hinge side

Installation with slide rail K, figure DIN R door, DIN L mirrored



Standard installation with slide rail K, opposite hinge side (direct installation, without mounting plate)



Frame installation with slide rail K, opposite hinge side (direct installation, without mounting plate)

Closing speed

Continuously adjustable closing speed from 140°* – 0°.

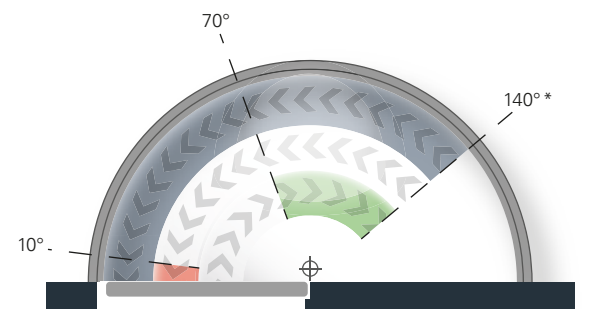
Latching speed

Increases the closing speed and thus the closing force for safe closing of the door, e.g. to overcome door seals, latches and air pressure. Continuously adjustable, active from 10° – 0°.

Back-check (constant)

Reduces the opening speed from 70° and thus prevents the door from slamming. Constant back-check.

Closing forcediagram ECO Newton TS-41, opposite hinge side



*Varies according to door thickness and hinge type.

Opening range must be limited by a door stop!

Back-check not available for frame installation



ECO Schulte GmbH & Co. KG

Iserlohner Landstraße 89

D-58706 Menden

Telephone +49 2373 9276 - 0

Telefax +49 2373 9276 - 40

info@eco-schulte.de

www.eco-schulte.de

Our compendium represents a compilation of all products from our range of services. These are subject to different delivery classes. Special variants included are often manufactured to customer specifications and sometimes require longer delivery times and minimum purchase quantities. Further advise can be given by your contact person.

■ SYSTEM TECHNOLOGY FOR THE DOOR

