

Stainless steel full cover

The full cover is an optional stainless steel cover for the ECO **Newton** door closer and the corresponding slide rail. The overall appearance is perfected by a lever arm in stainless steel. A cover on the closer body unit is available for standard arm closers.



for the closer body unit for ECO Newton TS-62, TS-61, TS-51, TS-41, TS-31, TS-50, TS-20

Finish: Stainless steel satin finish



Full cover set for ECO Newton	Material	Art. no.
Full cover TS 62 set	Stainless steel satin finish	5030025714
Full cover TS 61 set	Stainless steel satin finish	5030009911
Full cover TS 51 set	Stainless steel satin finish	5030009901
Full cover TS 41/31 set	Stainless steel satin finish	5030009897
Full cover TS 50/20 set	Stainless steel satin finish	On request



Full cover for ECO Newton	Material	Art. no.
Full cover TS 62/61	Stainless steel satin finish	5030050239
Full cover TS 51	Stainless steel satin finish	5030001304
Full cover TS 41/31/50/20	Stainless steel satin finish	5030001305
Full cover FTS III	Stainless steel satin finish	5030068361



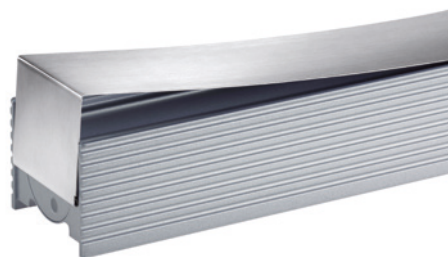
Full cover set for slide rails	Material	Art. no.
ER cover set GS-B/H	Stainless steel satin finish	5030001297
ER cover set GS-HF	Stainless steel satin finish	5030068997
ER cover SR III set	Stainless steel satin finish	5030052320
ER cover SR BG III set	Stainless steel satin finish	5030058879

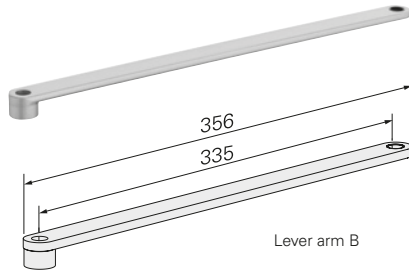
Intelligent stainless steel cover

ECO Clic envelops the aluminium body unit with the power of spring steel. The cover conceals all of the adjusting elements and cannot be removed without tools, thus securing the door closer against unauthorised access.



U-Cover for ECO Newton	Material	Art. no.
U-Cover TS-62	Stainless steel satin finish	5030000874
U-Cover TS-61 EN 2-5 / 3-6	Stainless steel satin finish	5030000862
U-Cover TS-61 EN 5-6	Stainless steel satin finish	5030000874
U-Cover TS-51	Stainless steel satin finish	5030000842
U-Cover TS-41/31/50/20	Stainless steel satin finish	5030000825





Lever arm B

Lever arm B

Lever arm 6 x 358 mm ECO TS-62	Colour / material	Art. no.
Lever arm TS-62	Silver RAL 9006	5030019814
Lever arm TS-62	White RAL 9016	5030019816
Lever arm TS-62	Matt stainless steel	5030053538

Lever arm 6 x 358 mm ECO TS-41/31	Colour / material	Art. no.
Lever arm TS-41/31	Silver RAL 9006	5030001094
Lever arm TS-41/31	White RAL 9016	5030001093
Lever arm TS-41/31	Matt stainless steel	5030001097



Lever arm ITS

Lever arm ITS

Lever arm ITS	DIN	Colour / material	Art. no.
Lever arm ITS 420 (8-12)	DIN L	Silver RAL 9006	5030029510
Lever arm ITS 420 (8-12)	DIN R	Silver RAL 9006	5030029512
Lever arm ITS 420 (12-16)	DIN L	Silver RAL 9006	5030029518
Lever arm ITS 420 (12-16)	DIN R	Silver RAL 9006	5030029520

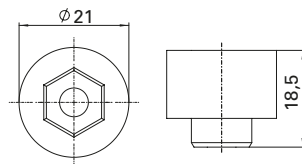
Lever arm 6 x 358 mm ECO TS-61/51	Colour / material	Art. no.
Lever arm TS-61/51	Silver RAL 9006	5030001108
Lever arm TS-61/51	White RAL 9016	5030001107
Lever arm TS-61/51	Matt stainless steel	5030053539

Lever arm 4 x 358 mm ECO TS-61 (3-6)	Colour / material	Art. no.
Lever arm TS-6 (3-6)	Silver RAL 9006	5030059778
Lever arm TS-6 (3-6)	White RAL 9016	5030065483
Lever arm TS-6 (3-6)	Black RAL 9005	5030065485

Lever arm ITS	DIN	Colour / material	Art. no.
Lever arm ITS MG (8-12)	DIN L / R	Silver RAL 9006	5030044376
Lever arm ITS MG (12-16)	DIN L / R	Silver RAL 9006	5030029343
Lever arm ITS MG (16-20)	DIN L / R	Silver RAL 9006	5030054930



Lever adapter 13 mm


Lever adapter 13 mm for ECO Newton TS-61/51
Lever adapter 11 mm for ECO Newton TS-41/31

For extending the distance between door closer and slide rail.

Lever adapter 13 mm – EN 5 (max. leaf width 1,250 mm) lever adapter 11 mm – EN 4 (max. leaf width 1,100 mm)

- Used in combination with ECO adaption profile
- Delivery incl. extended screw
- (for short passive leaf)

Lever adapter for TS-51/61	Colour	Art. no.
Lever adapter 13 mm	Silver RAL 9006	5030013373
Lever adapter 13 mm	White RAL 9016	5030028156
Lever adapter 13 mm	Black RAL 9005	5030050818

Lever adapter for TS-41/31	Colour	Art. no.
Lever adapter 11 mm	Silver RAL 9006	5030047056
Lever adapter 11 mm	White RAL 9016	5030060029
Lever adapter 11 mm	Stainless steel look	5030043333



Door closer lever arm accessories



Standard arm

Standard arm

steel zinc-plated.

Standard arm	Colour	Art. no.
SGS TS-20/50	Silver RAL 9006	5030000507
SGSTS-20/50	White RAL 9016	5030000509
SGSTS-50 (2-6)	Silver RAL 9006	5030039718
SGS TS-50 (2-6)	White RAL 9016	5030039716

Standard arm	Colour	Art. no.
SGS TS-14/15	Silver RAL 9006	5030000502
SGSTS-14/15	White RAL 9016	5030000504

Hold-open arm

The hold-open arm has an additional latch-locking device for securing the door. Steel zinc-plated.
Hold-open angle 70-130°. Adjustable holding force.
Not permitted for fire protection.

Hold-open arm	Colour	Art. no.
SGS RFG TS-20/50/11	Silver RAL 9006	5030019729
SGS RFG TS-20/50/11	White RAL 9016	5030019730



Hold-open arm



ECO

Hold-open device accessories

ECO pivot bearing 31

Pivot bearing with stainless steel cover ECO **Newton** TS-31 (empty body, without spring and oil), mounting plate, lever arm B with square mount.

Pivot bearing	Colour	Art. no.
DL 31	Silver RAL 9006	5030000805
DL 31	White RAL 9016	5030031509



ECO pivot bearing MÖB 31 with door stop function*


Free-running pivot bearing with universally adjustable opening limiter. Opening angle adjustable to 80 – 130 ° by sliding the slide rail. The door is slightly cushioned by the rubber damper when it stops and thus assumes the function of a door stop if a floor-mounted door stop cannot be fitted.

Comprising:

- Pivot bearing with stainless steel cover ECO **Newton** TS-31 (body empty, without spring and oil),
- Mounting plate
- Slide rail B with opening limiter
MÖB lever arm B with square mount.

Pivot bearing	Colour	Art. no.
MÖB 31	Silver RAL 9006	5030010344
MÖB 31	White RAL 9016	5030053255

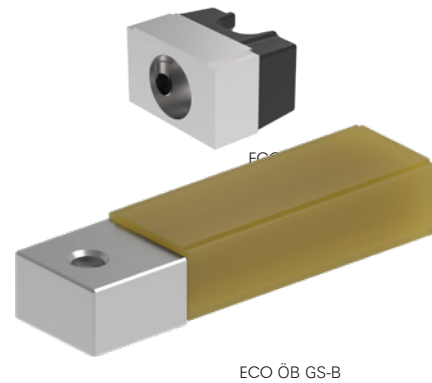


 *Only recommended for use on lightweight interior doors and with normal use of the doors, as the load on the hinges becomes too high with improper operation and heavy doors. Standard installation hinge side or opposite hinge side (using a transom bracket) Mounting on DIN hole group according to EN.

Accessory set ÖB

Mechanically universally adjustable opening limiter for ECO slide rail GS-B, GS-H, ECO IS 20, ECO IS 21, ECO SR (BG) III. The limiting angle can be adjusted by sliding in the slide rail.

Opening limiter	Colour / material	Art. no.
ECO ÖB GS-B/H III	Silver RAL 9006	5030059778
ECO ÖB III	White RAL 9016	5030065483
ECO ÖB IS III	Black RAL 9005	5030065485



Accessory set FKL-E

Adjustable spring catch for slide rail B and IS 21, with integrated stop buffer.

Not permitted for use in fire protection.

For keeping doors open with slide rail closers **EN 2-EN 5**, holding force continuously adjustable.

Hold-open angle adjustable from 70-130°, cannot be overridden.

- Suitable for slide rail B and IS 21

Mechanical hold-open device FKL-E	Art. no.
FKL-E	5030019724



Accessory set FKL SR (BG) III

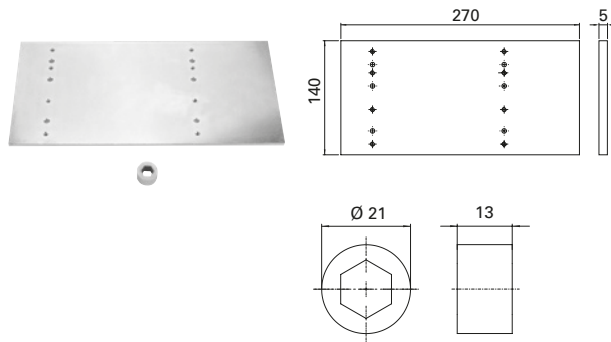
Mechanical hold-open device for retrofitting in the slide rail SR III and IS-SR.

Not permitted for use in fire protection. 30 x 21 mm. Adjustable hold-open angle of max. 110°. For exterior doors under wind load and heavy doors, the holding force is reduced accordingly.

- Suitable for slide rail SR III and IS-SR (only FKL-SR-III-GF/SF)
- For lightweight doors up to **EN 3**
- Model **DIN-L = DIN-R**

FKL-SR III	Mounting version	Leaf	Art. no.
FKL-SR-III-GF	BS, BG	GF	5030057753
FKL-SR-III-SF	BS	SF	5030059110
FKL-SR-BG-III-SF	BG	SF	5030057795

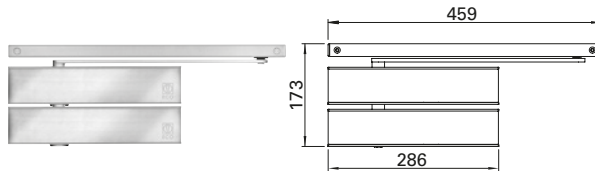



Tandem accessory set

 ECO **Newton TS-61** (EN 5-6)

 Comprising special mounting plate and adapter for **2 x ECO Newton TS-61 (5 - 6)**.

Tandem accessory set	Colour / material	Art. no.
Tandem accessory set	Silver RAL 9006	5030015303


Complete set tandem closer

 Comprising **2 x ECO Newton TS-61 (5 - 6)**.

- incl. mounting plates,
- 1 x lever arm,
- 1 x slide rail B,
- 1 x tandem accessory set

Complete set	Colour / material	Art. no.
Tandem TS-61 GS-B set	Silver RAL 9006	5030019607
Tandem TS-61 GS-B set	White RAL 9016	5030051702


Glass door clamping shoe for door closer

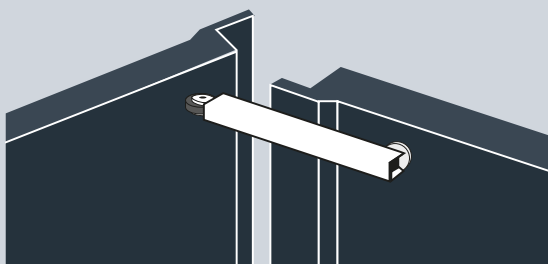
 ECO **Newton TS-51, TS-31, TS-41 and TS-50**

Aluminium clamping shoe for fixing the ECO door closer to a glass door.

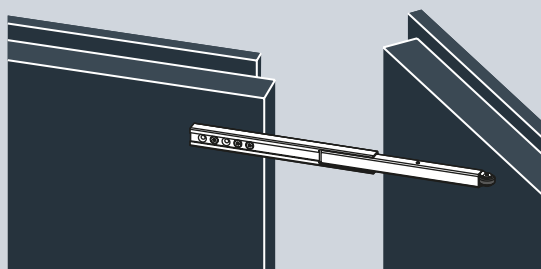
- Suitable for 8-10 mm glass thickness (ESG)
- Same model for **DIN-L** and **DIN-R**
- With threaded holes to accommodate the door closer

Glass door clamping shoe	Colour / material	Art. no.
GKS TS-31/41/50	Silver RAL 9006	5030013351
GKS TS-31/41/50	White RAL 9016	5030013353
GKS TS-31/41/50	Stainless steel look	5030013347

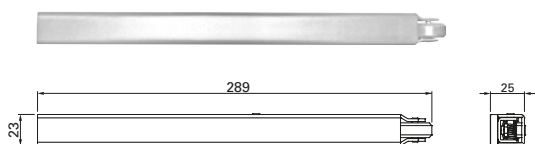
Glass door clamping shoe	Colour / material	Art. no.
GKS TS-51	Silver RAL 9006	5030013354
GKS TS-51	White RAL 9016	On request
GKS TS-51	Stainless steel look	5030013355



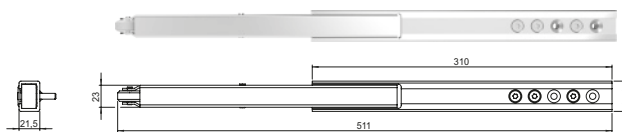
Driver flap MK 1



Driver flap MK 2



Driver flap MK Basis 1



Driver flap MK 2

Driver flap MK

The door coordinator ensures that the closing sequence of the passive and active leaf is in the prescribed order, i.e. the active leaf always closes after the passive leaf. The function of a door coordinator is only guaranteed if the active leaf is opened at least to a certain angle (holding position). If the passive leaf (full

panic) is now pushed open first, the driver flap ensures that the active leaf always opens so far that it reaches this holding position.

Material: Steel with plastic roller, zinc-plated (silver-coloured).

Tested by the Materials Testing Office (MPA-NRW).

Driver flap	Colour / material	Art. no.
ECO MK Basis 1	Steel zinc-plated	5030017295

Driver flap	Colour / material	Art. no.
ECO MK 2 (for SR-(EF/R) opposite hinge side)	Steel zinc-plated	5030048358



EN 1158

ECO SR Basis – surface-mounted door coordinator with extension arm

- Tested acc. to EN 1158, size 3-7
- Leaf weight: max. 200 kg per leaf
- Leaf width: up to 1600 mm per leaf
- Space required above the door: min. 30 mm
- Delivery: incl. 2 support brackets

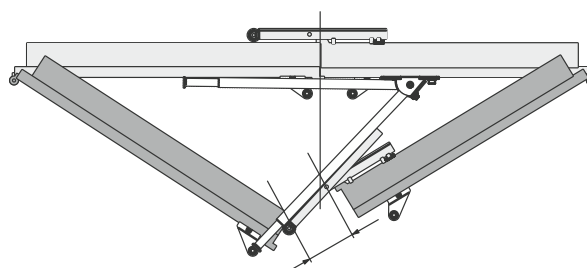
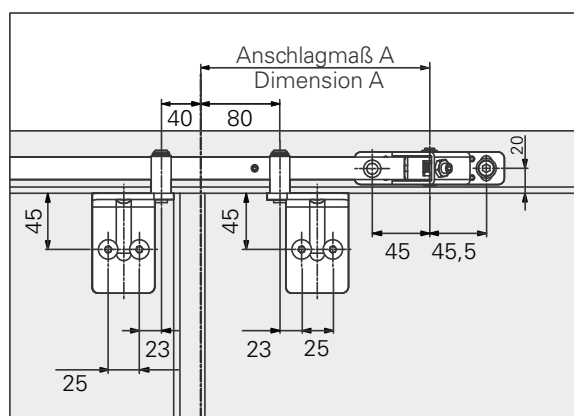
Caution!

Only use with door closers (hydraulically damped closing).

Door coordinator:

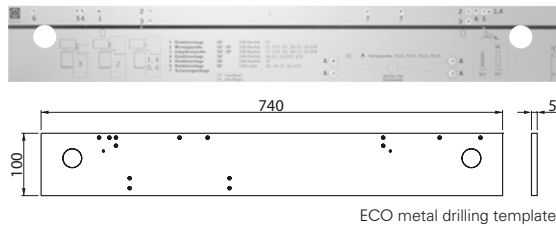
Ensures that the closing sequence of the passive and active leaf is in the prescribed order, i.e. the active leaf always closes after the passive leaf.

Door coordinator	Colour / material	Art. no.
ECO SR Basis	Steel zinc-plated	5030000494



ECO MOUNT

The special feature of the ECO **Newton** assembly system: the TS-61/51 mounting plate is completely concealed by the aluminium body of the door closer, thus making it invisible. The base plate of the mounting plate is provided with standard drilling pattern and serves as mounting support by guiding the door closer on the mounting plate. Can be used for DIN L/R!



ECO metal drilling template

ECO metal drilling template

for direct drilling of the fixing holes on the door.

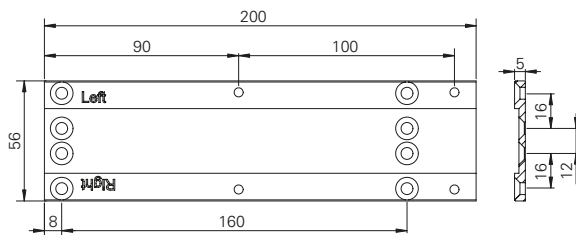
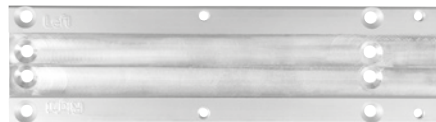
- **Material:** Aluminium with drilling bushes
- Drill hole groups for ECO door closers, slide rails and arms
- Can be used with **DIN-L** and **DIN-R**, with labelling of the individual drilling patterns.

ECO metal drilling template	Material	Art. no.
MBS-BS III	Aluminium	5030013340
MBS-BG III	Aluminium	5030063043

EN 1154



CE



for ECO Newton TS-62

with DIN hole pattern.

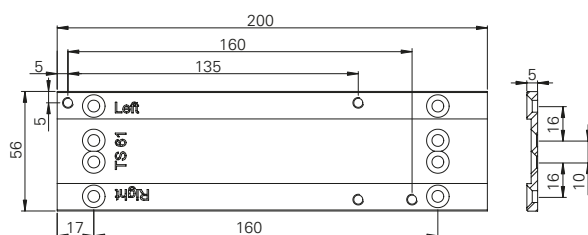
In accordance with **EN 1154**, supplementary sheet 1.

Mounting plate	Colour / material	Art. no.
MPL TS-62	F1 anodised aluminium	5030019839

EN 1154



CE



for ECO Newton TS-61

with DIN hole pattern.

In accordance with **EN 1154**, supplementary sheet 1.

Mounting plate	Colour / material	Art. no.
MPL TS-61	F1 anodised aluminium	5030013392

Mounting plate accessories

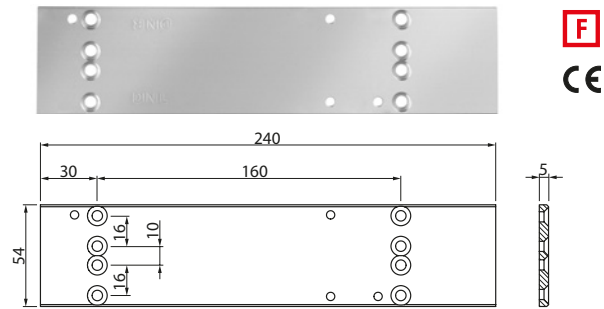
for ECO Newton TS-51

with DIN hole pattern.

In accordance with **EN 1154**, supplementary sheet 1.

Mounting plate	Colour / material	Art. no.
MPL TS-51	F1 anodised aluminium	5030013391

EN 1154



F

CE

for ECO Newton TS-41, TS-31, TS-50

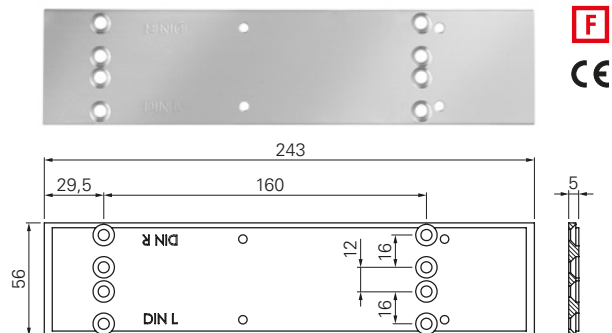
with DIN hole pattern

After mounting, the sides of the mounting plate are still visible.

In accordance with **EN 1154**, supplementary sheet 1, only with slide rail B and TS-50.

Mounting plate	Colour / material	Art. no.
MPL TS-41, TS-31, TS-50	F1 anodised aluminium	5030000717
MPL TS-41, TS-31, TS-50	White RAL 9016	5030013385

EN 1154



F

CE

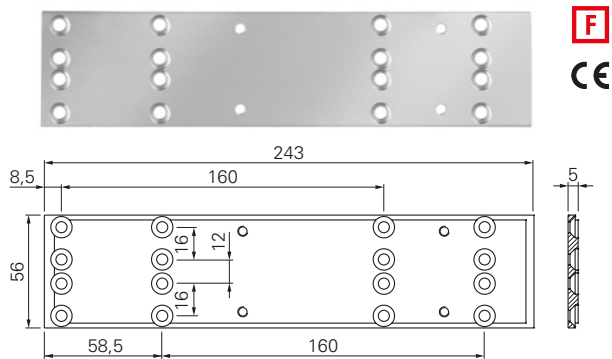
for ECO Newton TS-20

with DIN hole pattern.

In accordance with **EN 1154**, supplementary sheet 1.

Mounting plate	Colour / material	Art. no.
MPL TS-20	F1 anodised aluminium	5030013382
MPL TS-20	White RAL 9016	5030000715

EN 1154



F

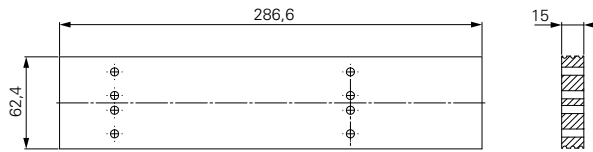
CE

for ECO Newton TS-14 EN

with DIN hole pattern.

In accordance with **EN 1154**, supplementary sheet 1.

Mounting plate	Colour / material	Art. no.
MPL TS-14 EN	Silver RAL 9006	5030040766
MPL TS-14 EN	White RAL 9016	5030044130

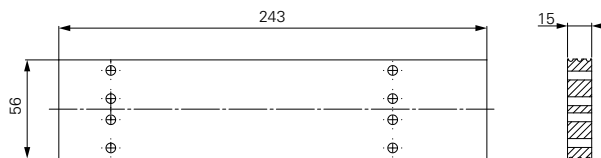


for ECO Newton TS-61 G

with DIN hole pattern.

- In accordance with **EN 1154**, supplementary sheet 1.
- Optional additional plate for installation on the opposite hinge side (2-leaf).
- For relining the door closer with narrow door thicknesses (X dimension below 60 mm).
- Thickness of the panel = 15 mm or 30 mm (2x15 mm). Delivery incl. longer screws.

Mounting plate BG	Colour / material	Art. no.
MPL-G-61-15	Silver RAL 9006	5030060111
MPL-G-61-30	Silver RAL 9006	5030060112

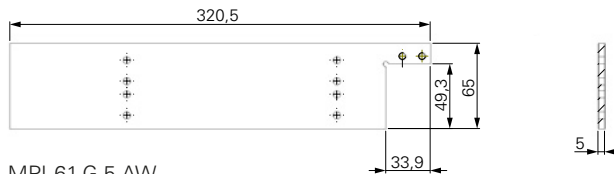


for ECO Newton TS-41

with DIN hole pattern.

- In accordance with **EN 1154**, supplementary sheet 1.
- Optional additional plate for installation on the opposite hinge side (2-leaf).
- For relining the door closer with narrow door thicknesses (X dimension below 60 mm).
- Thickness of the panel = 15 mm or 30 mm (2x15 mm). Delivery incl. longer screws.

Mounting plate BG	Colour / material	Art. no.
MPL-G-41-15	Silver RAL 9006	5030060113
MPL-G-41-30	Silver RAL 9006	5030060114

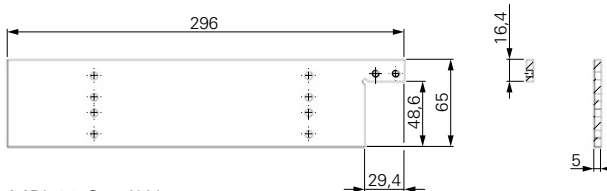


MPL-61-G-5-AW

MPL-G-AW for ECO Newton TS

with DIN hole pattern.

- In accordance with **EN 1154**, supplementary sheet 1.
- Optional additional plate for installation on the opposite hinge side (2-leaf, only passive leaf).
- Adapts the installation position for the release bracket so that it does not have to be fixed into the door.

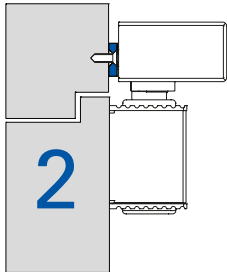


MPL-62-G-5-AW

Mounting plate BG	Colour / material	Art. no.
MPL-62-G-5-AW	Silver RAL 9006	5030060853
MPL-61-G-5-AW	Silver RAL 9006	5030060843
MPL-41-G-5-AW	Silver RAL 9006	5030067160
MPL-41-G10-AW	Silver RAL 9006	5030067163

ECO mounting versions – hinge side

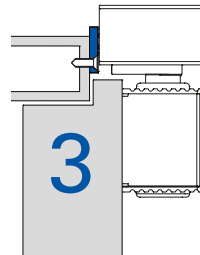
Installation with standard profile (ADP)



Installation with standard profile (ADP 20) is used if the frame has already been prepared with the mounting hole dimension 120/428.5 mm, e.g. for steel frames or for replacement/retrofitting.

The standard profile is mounted directly on the frame and adapts the ECO drilling dimension to this pre-prepared dimension. It can be ordered separately as an accessory.

Installation with adaption profile (ADP 30)



The adaption profile (ADP 30) is used if the frame construction does not allow stable fixing of the slide rail, e.g. for steel frames with rebated doors.

The adaption profile is mounted directly on the frame. The slide rail can now be mounted stably on this ADP.

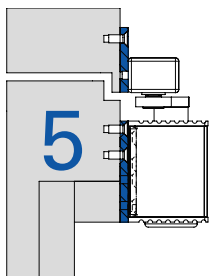
It can be ordered separately as an accessory.

The drilling dimensions for the adaption profile are included on the enclosed paper drilling template.

In addition, a metal drilling template or corresponding drilling dimensions are also available as a PDF or DXF file (www.eco-schulte.de).

ECO mounting versions – opposite hinge side

Installation with adaption profile (ADP 40)



The adaption profile (ADP 40) is used if the frame construction does not allow stable fixing of the slide rail, e.g. for frames of profile doors.

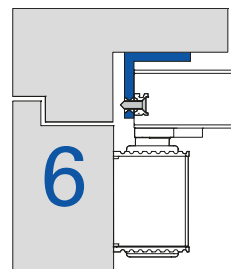
The adaption profile is fixed above the slide rail in the frame profile chamber. The slide rail can now be mounted stably on this ADP.

It can be ordered separately as an accessory.

The drilling dimensions for the adaption profile are included on the enclosed paper drilling template.

In addition, a metal drilling template or corresponding drilling dimensions are also available as a PDF or DXF file (www.eco-schulte.de).

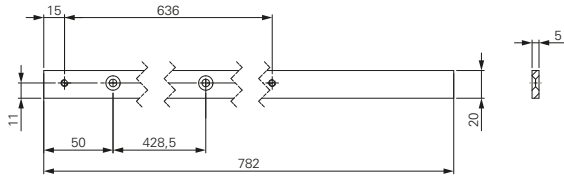
Installation with transom bracket



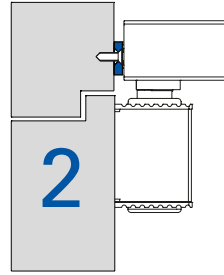
The transom bracket (SFW) is used for installation on the opposite hinge side if the slide rail has to be installed under the frame for space reasons (wide door lintel).

The SFW is screwed to the frame from below and the slide rail is then attached to the SFW.

The drilling dimensions for the SFW are included in the mounting instructions or are available as drilling dimensions in a PDF or DXF file (www.eco-schulte.de). The transom bracket can be ordered separately as an accessory.



Adaption profile ADP 20 for slide rail SR III



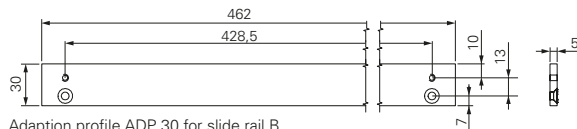
Adaption profile 20 hinge side for slide rail GS-HF, EF, SR III, SR-EF and SR EFR III

For mounting the slide rails on the hinge side on profile door constructions, as well as rebated wooden doors with a narrow steel frame transom.

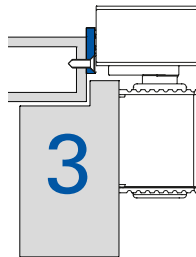
Adaption to drilling pattern 120 / 428.5 mm

Set ADP 20 (single-leaf)	Colour / material	Art. no.
ADP 20 GS-HF set	bvz	5030065912
Set ADP 20 EF *OEM*	bvz	On request
Set ADP 20 R III	bvz	5030067350

Set ADP 20 (double-leaf)	Colour / material	Art. no.
Set ADP 20 SR III	bvz	5030058620
Set ADP 20 SR EF *OEM*	bvz	On request
Set ADP 20 SR EFR III	bvz	5030053158



Adaption profile ADP 30 for slide rail B



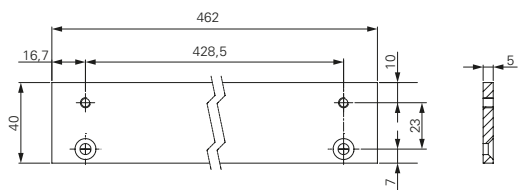
Adaption profile 30 hinge side for slide rail GS-B, GS-K, GS-HF, EF, EFR III, SR III, SR-EF and SR EFR III

For mounting the slide rails on the hinge side on profile door constructions, as well as rebated wooden doors with a narrow steel frame transom.

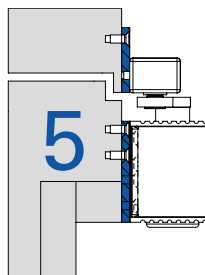
Set ADP 30 (single-leaf)	Colour / material	Art. no.
Set ADP 30 GS-B/H	bvz	5030013334
Set ADP 30 GS-B/H	Silver RAL 9006	5030018750
Set ADP 30 GS-B/H	White RAL 9016	5030013335
Set ADP 30 GS-K	bvz	5030013320
ADP 30 GS-HF set	bvz	5030065919
Set ADP 30 EF *OEM*	bvz	On request
Set ADP 30 EFR III	bvz	5030052663
Set ADP 30 EFR III	Silver RAL 9006	5030052665
Set ADP 30 EFR III	White RAL 9016	5030052666
Set ADP 30 R III	bvz	5030067743
Set ADP 30 R III	RAL 9006	5030067762

ADP 30 set (double-leaf)	Colour / material	Art. no.
ADP 30 SR III set	bvz	5030050910
ADP 30 SR-EF set *OEM*	bvz	On request
ADP 30 SR-EFR III set	bvz	5030052700
ADP 30 SR-EFR III set	Silver RAL 9006	5030052701
ADP 30 SR-EFR III set	White RAL 9016	5030052702
Set ADP 30 R III	bvz	5030067743
Set ADP 30 R III	RAL 9006	5030067762

Adaption plate set accessories



Adaption profile for slide rail BG

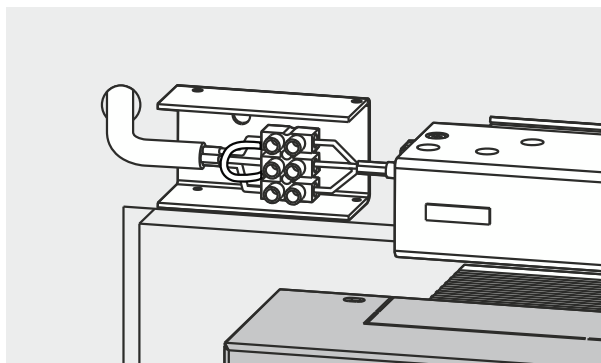


Adaption profile 40 opposite hinge side for slide rail GS-B, GS-HF, EF-BG, EFR-BG III, SR BG III, SR EF-BG and SR EFR-BG III

For mounting the slide rails on the opposite hinge side on profile door constructions, as well as rebated wooden doors with a narrow steel frame transom.

ADP 40 set (single-leaf)	Colour / material	Art. no.
ADP 40 GS-B/H set	bvz	5030027228
ADP 40 GS-B/H set	Silver RAL 9006	5030028490
ADP 40 GS-B/H set	White RAL 9016	On request
ADP 40 GS-HF set	bvz	5030065922
ADP 40 EF BG set *OEM*	bvz	5030064464
ADP 40 EFR-BG III set	bvz	5030052667
ADP 40 EFR-BG III set	Silver RAL 9006	5030052668
ADP 40 EFR-BG III set	White RAL 9016	5030052669
Set ADP 40 R III	bvz	5030067330
Set ADP 40 R III	RAL 9006	5030067760

ADP 40 set (double-leaf)	Colour / material	Art. no.
ADP 40 SR-BG III set	bvz	5030058057
ADP 40 SR-BG III set	White RAL 9016	5030058058
Set ADP 40 SR-EF(R)-BG III*OEM*	bvz	5030062116



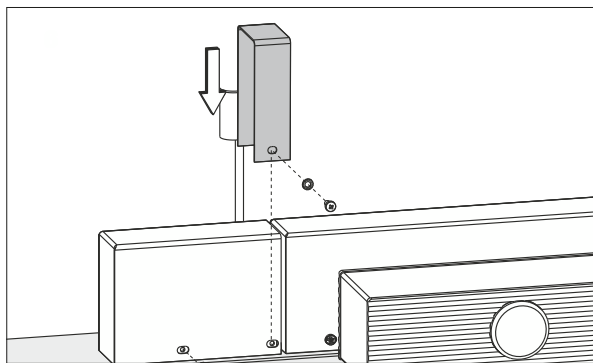
Conversion kit ECO FSA I to FSA III

For converting the hold-open system using the existing fixing holes and the existing 230 V cable feed.

Conversion from ECO FSA I (ABZ: Z-6.5-1471, up to construction year 2016) to ECO FSA III (BAG: Z-6.500-2411, from construction year 2019 onwards)

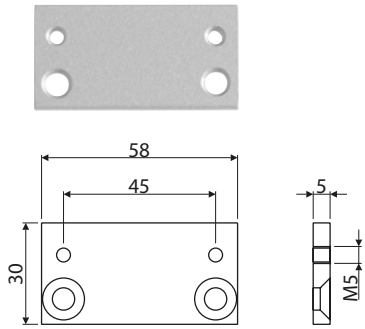
For an approval-compliant conversion, the matching ECO FSA III and the relevant conversion kit must also be ordered.

Conversion kit	DIN	Colour / material	Art. no.
U-Kit EFR FSA I – III	DL = DR	Silver RAL 9006	5030058612
U-Kit EFR FSA I – III	DL = DR	Matt stainless steel	5030058332
U-Kit SR-EFR FSA I – III	DL = DR	Silver RAL 9006	5030058613
U-Kit SR-EFR FSA I – III	DL = DR	Matt stainless steel	5030058362

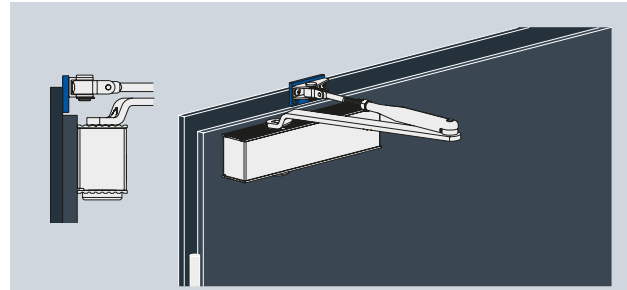


Scope of delivery ECO conversion kit:

- Mounting bracket with PE connection lug
- Connecting terminal 230 V
- Extension cable 230 V to the power supply unit of the FSA III
- Cover hood, gap cover, fixing screws



Adaption profile for standard arm closer

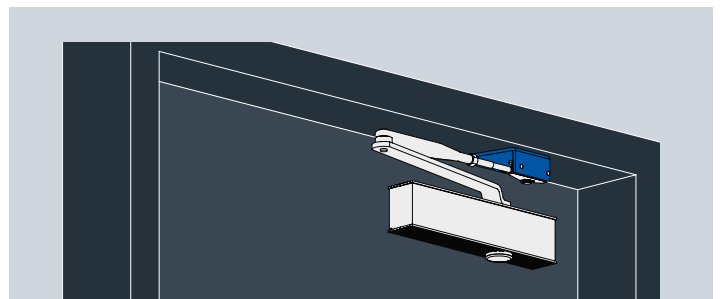


Adaption profile for standard arm closer standard installation

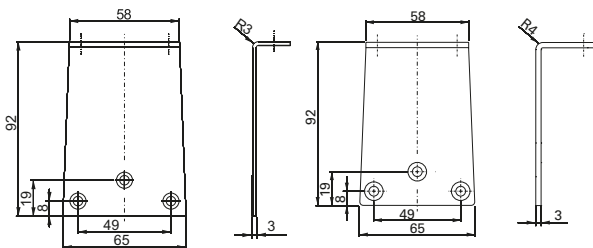
**Adaption profile for standard arm closer
ECO Newton TS-50/20/15/14**

For mounting the standard arm and hold-open arm on the hinge side on profile door constructions, as well as rebated wooden doors with a narrow steel frame transom.

Set ADP SGS	Colour / material	Art. no.
Set ADP SGS	bvz	5030052792
Set ADP SGS	Silver RAL 9006	5030022469
Set ADP SGS	White RAL 9016	5030022932



Fixing bracket parallel arm installation standard arm closer



Fixing bracket PAM



Fixing bracket PAM RFG

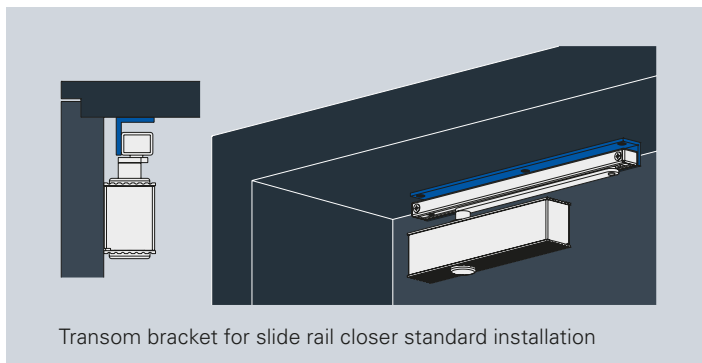
**Fixing bracket parallel arm installation for
ECO Newton TS-50/20/15/14**

For mounting the standard arm on the opposite hinge side on profile door constructions, as well as rebated wooden doors with a narrow steel frame transom.

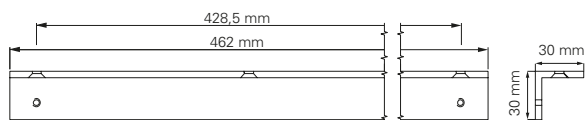
■ Not suitable for fire and smoke control doors.

Set ADP PAM	Colour	Art. no.
Set ADP PAM	Silver RAL 9006	5030017306
Set ADP PAM-RFG	Silver RAL 9006	5030053229

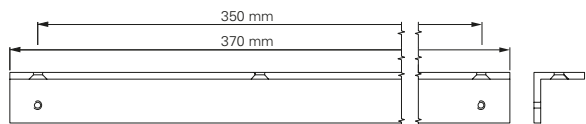
Transom bracket accessories



Transom bracket for slide rail closer standard installation



Transom bracket for slide rail BG

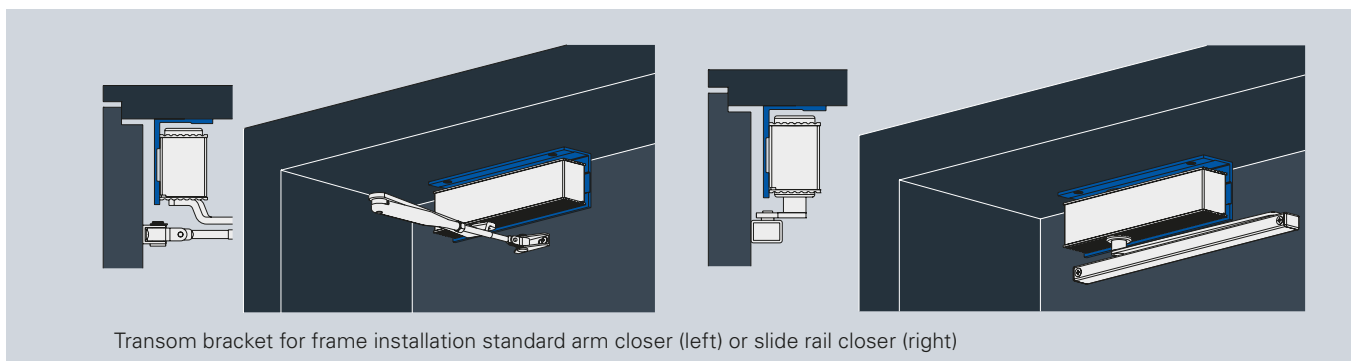


Transom bracket for slide rail K

Transom bracket for slide rail BG, GS-K, GS-HF, EF BG, EFR BG, SR BG (SR BGX), SR-EFR BG

For transom installation of the slide rail on the opposite hinge side for doors with deep transom. Aluminium transom bracket.

Transom bracket set	Material	Art. no.
Set SFW GS-B/H	Aluminium	5030013439
Set SFW GS-K	Aluminium	5030013437
Set SFW GS-HF	Aluminium	5030065925
Set SFW EF BG *OEM*	Aluminium	5030062895
Set SFW EFR BG *OEM*	Aluminium	5030062913
Set SFW SR BG *OEM*	Aluminium	5030062885
Set SFW SR-EF(R) BG *OEM*	Aluminium	5030062892
SFW R III set	Aluminium	5030067758



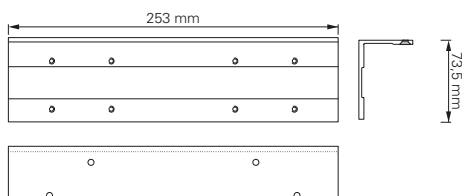
Transom bracket for frame installation standard arm closer (left) or slide rail closer (right)

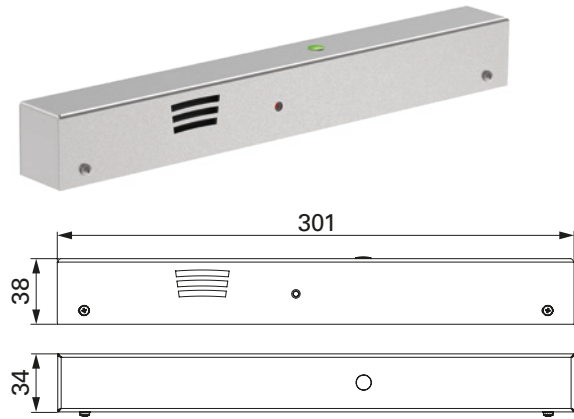


Transom bracket for slide rail / standard arm closer

For frame installation of the door closer on the opposite hinge side for doors with deep lintel. Aluminium transom bracket.

Transom bracket set	Material	Art. no.
Set SFWTS-61	Aluminium	5030013435
Set SFWTS-51	Aluminium	5030013434
Set SFW TS-50/41/31/20	Aluminium	5030013443





ECO RSZ III

External smoke control centre for controlling the ECO hold-open devices **EF, EF-BG, SR-EF, SR-EF-BG, ITS-EF** and **ITS-SR-EF** and the **THM** magnetic clamp for doors (see p. 160). Comprising smoke switch, power supply unit, release button and continuous cover.

- **Nominal input voltage:** 230 V AC, 21 VA
- **Nominal output voltage:** 24 V DC
- **Nominal output current:** 460 mA

Smoke control centre	Colour / material	Art. no.
ECO RSZ III	Silver RAL 9006	5030051344
ECO RSZ III	White RAL 9016	5030052058
ECO RSZ III	Stainless steel	5030051343



ECO test spray P-250

Test spray for functional testing (simulation of smoke detection) of smoke detectors/switches. Free from halogenated hydrocarbons (CFC or similar).

ECO test spray P-250	Art. no.
Test spray P-250	5030015354



Acceptance set for ECO hold-open systems

comprising:

- Test book
- Maintenance instructions
- Approval/AGB
- Approval sign
- Identification mark sign

(Test log as per DIBt and **DIN 14677**)

Acceptance set for ECO hold-open systems	Art. no.
Acceptance set I (ECO FSA III, 2019-2024)	5030054719
Acceptance set II (ECO-R III, 2023-2024)	5030068703
Acceptance set III (ECO FTS 63-R, 2019-2024)	5030017334
Acceptance set IV (ECO FSA III *Würth*)	5030052706

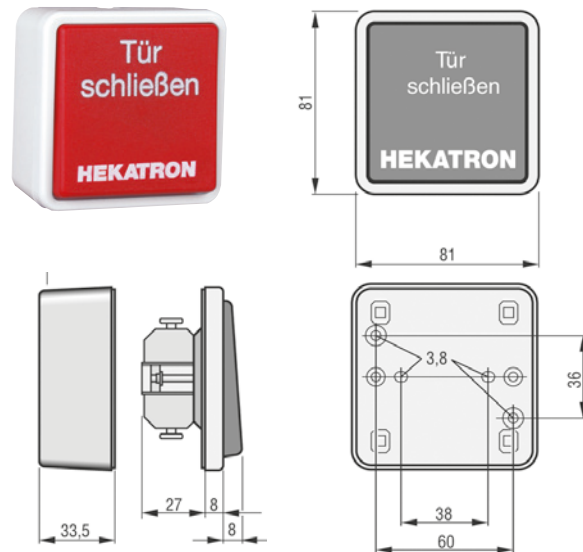
Accessories for hold-open systems

HAT 02

Manual release button for installation in dry rooms, for manual release of hold-open devices in accordance with DIBt guidelines.

- **Installation:** Surface-mounted/flush-mounted
- **Contact type:** Opener
- **Switching voltage:** Max. 30 V DC
- **Switching current:** Max. 1 A
- **Protection class:** IP 20
- **Note:** For use with line monitoring in accordance with **EN 14637** (e.g. for ECO FSA III), the **AM 142** terminating module must also be ordered.

Manual release button	Art. no.
HAT 02	5030000748
AM 142	5030015352
HAT 02 + AM 142 set	5030055354

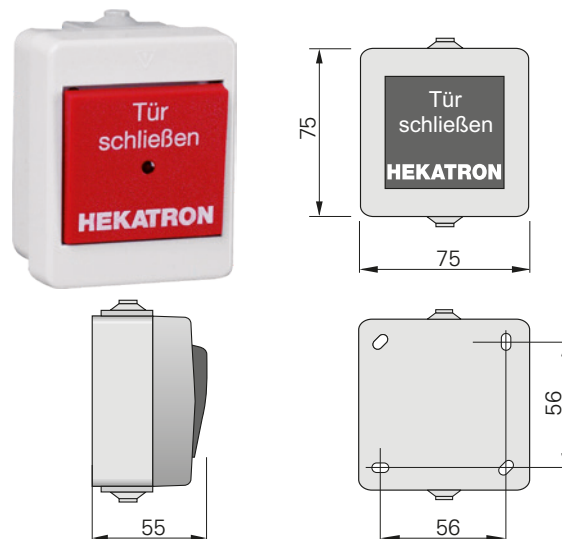


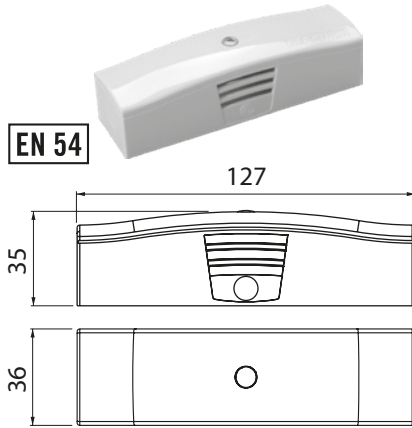
HAT 03

Manual release button for installation in damp rooms, for manual release of hold-open devices in accordance with DIBt guidelines.

- **Installation:** On-wall
- **Contact type:** Opener
- **Switching voltage:** Max. 30 V DC
- **Switching current:** Max. 1 A
- **Protection class:** IP 44
- **Note:** For use with line monitoring in accordance with **EN 14637** (e.g. for ECO FSA III), the terminating module **AM 142** must also be ordered

Manual release button	Art. no.
HAT 03	5030015359
AM 142	5030015352

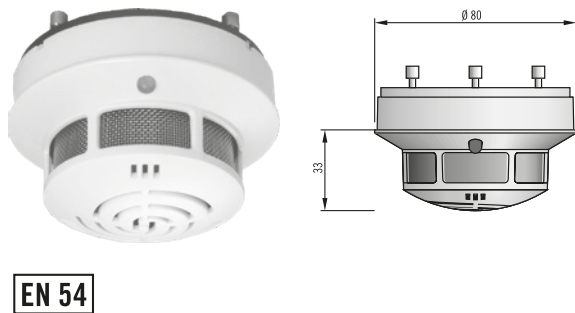




Smoke switch ORS-W 142 ECO (lintel-mounted smoke alarm)

- for use as a separate lintel-mounted smoke alarm
- **Functional principle:** Diffused light
- **Alarm threshold tracking:** as per EN 54 Part 7
- **Threshold temperature:** $70 \pm 5 \text{ }^\circ\text{C}$
- **Operating voltage:** 18 to 24 V DC
- **Current consumption:** at 28 V DC max. 22 mA
- **Protection class:** IP 42
- **Operating temperature:** -20 to +75 °C
- **incl. RZO covering hood**

ORS 142 -W ECO (lintel-mounted smoke alarm)	Colour	Art. no.
Smoke switch ORS 142 -W ECO	Silver RAL 9006	5030022730
Smoke switch ORS 142 -W ECO	White RAL 9016	5030019560



ORS 142 ceiling-mounted smoke switch

- with optional line monitoring as per DIN EN 14637
- **Smoke detection:** as per EN 54, part 7,
- **Temperature:** 70°C
- **Operating voltage:** 18–28 V DC
- **Current consumption:** at 28 V DC, quiescent 22 mA alarm 11 mA, fault 16 mA
- **Relay contact:** Opener
- **Protection class:** IP 42
- **Temperature range:** -20 to +60°C

Ceiling-mounted smoke switch	Colour	Art. no.
ORS 142 ECO	White RAL 9010	5030062284



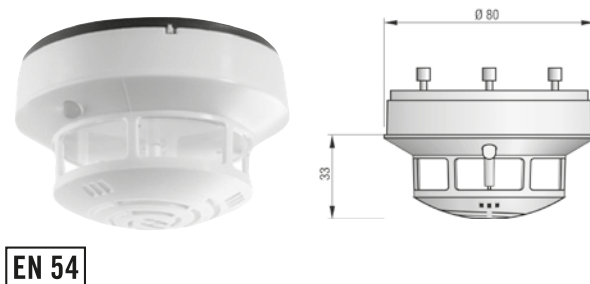
ORS 142 set

- with optional line monitoring as per DIN EN 14637

Set comprising:

- 2 x ORS 142
- 2 x 143 A sockets
- Magnet switch (red) to optionally activate the line monitoring

Ceiling-mounted smoke switch	Colour	Art. no.
ORS 142 set	White RAL 9010	5030042530



TDS 247 Thermo switch

- with optional line monitoring as per DIN EN 14637
- **Fire detection:** as per EN 54, part 5
- **Temperature:** 54-65 °C
- **Operating voltage:** 18-28 V DC
- **Current consumption:** at 28 V DC, quiescent 22 mA alarm 11 mA, fault 16 mA
- **Relay contact:** Opener
- **Protection class:** IP 42
- **Temperature range:** -20 to +80 °C

Thermo switch	Colour	Art. no.
TDS 247	White RAL 9010	5030000759

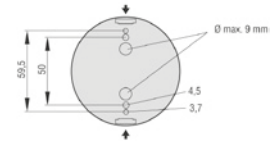
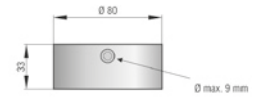
Accessories for hold-open systems

ORS 143 A Surface-mounted installation base for ORS 142

On-wall installation of smoke switch ORS 142.

- With magnet to optionally activate the line monitoring

Socket for ORS 142	Colour	Art. no.
ORS 143 A	White RAL 9010	5030000752

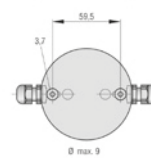
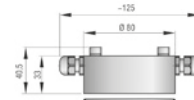


ORS 143 AF Surface-mounted installation base for ORS 142

On-wall installation of smoke switch ORS 142 in wet rooms.

- With magnet to optionally activate the line monitoring

Socket for ORS 142	Colour	Art. no.
ORS 143 AF	White RAL 9010	5030015344

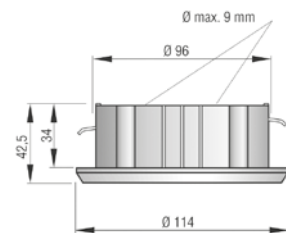


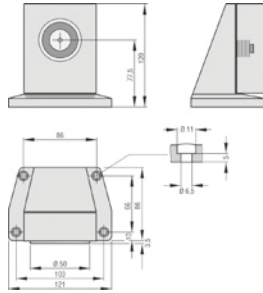
ORS 143 UH Flush-mounted installation base for ORS 142

Installation of smoke switch ORS 142 in hollow ceilings.

- With magnet to optionally activate the line monitoring

Socket for ORS 142	Colour	Art. no.
ORS 143 UH	White RAL 9010	5030000753

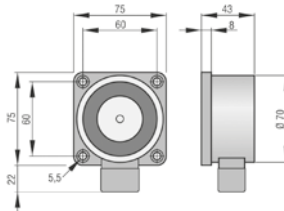




Holding magnet THM 413

- **Nominal operating voltage:** 24V DC
- **Current consumption:** 63 mA
- **Power consumption:** 1.5 W
- **Holding force:** 490 N
- **Duty cycle:** 100%
- **Protection class:** IP 40

Holding magnet	Holding force (Newton)	Art. no.
THM 413	490 N	5030000738

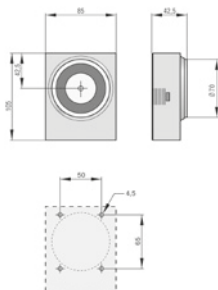


Holding magnet THM 425/THM 425-1

- **Nominal operating voltage:** 24 VDC
- **Current consumption:** 63 mA
- **Power consumption:** 1.5 W
- **Duty cycle:** 100%
- **Protection class:** IP 40

Holding magnet	Holding force (Newton)	Art. no.
THM 425	490 N	356500016
THM 425-1	1372 N	356500020

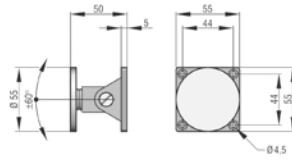
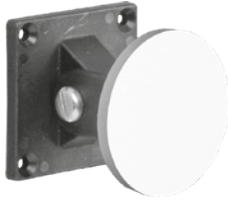
Holding magnet	Holding force (Newton)	Art. no.
THM 425	686 N	5030000737
THM 425-1	1372 N	5030000743



Holding magnet THM 433/THM 433-1

- **Nominal operating voltage:** 24V DC
- **Current consumption:** 63 mA
- **Power consumption:** 1.5 W
- **Duty cycle:** 100%
- **Protection class:** IP 40

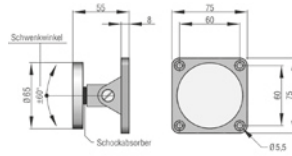
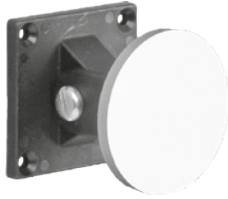
Holding magnet	Holding force (Newton)	Art. no.
THM 433	490 N	5030000740
THM 433-1	1372 N	5030000739



Anchor plate AFS 55 – flexible anchor suitable for THM 413, 433, 439 and 440

- **Anchor plate:** Ø 55 mm x 5 mm
- **Pivot range:** ± 60°

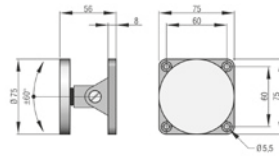
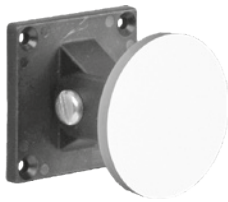
Anchor plate	Art. no.
AFS 55	5030000726



Anchor plate AFS 65 – flexible anchor suitable for THM 425, 425-1, 433-1

- **Anchor plate:** Ø 65 mm x 5 mm
- **Pivot range:** ± 60°

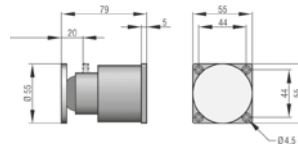
Anchor plate	Art. no.
AFS 65	5030000731



Anchor plate AFS 75 – flexible anchor suitable for THM 425, 425-1 and 433-1

- **Anchor plate:** Ø 75 mm x 5 mm
- **Pivot range:** ± 60°

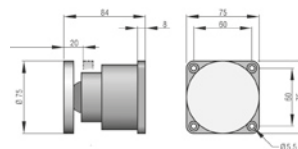
Anchor plate	Art. no.
AFS 75	5030000729



Anchor plate ATS 55 – telescopic anchor suitable for THM 413, 433, 439 and 440

- **Anchor plate:** Ø 55 mm x 5 mm
- **Spring deflection:** 20 mm

Anchor plate	Art. no.
ATS 55	5030015357



Anchor plate ATS 75 – telescopic anchor suitable for THM 425, 425-1 and 433-1

- **Anchor plate:** Ø 75 mm x 5 mm
- **Spring deflection:** 20 mm

Anchor plate	Art. no.
ATS 75	5030015358

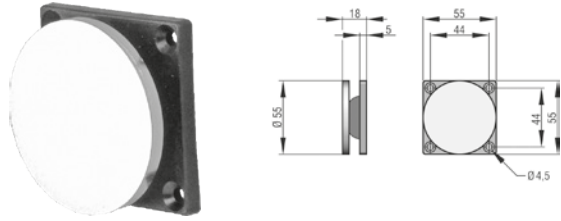


Accessories for hold-open systems

Anchor plate ASS 55 suitable for THM 413, 433, 439 and 440

- **Anchor plate:** Ø 55 mm x 5 mm
- **Rubber mounting:** 8 mm
- **Pivot range:** 20°

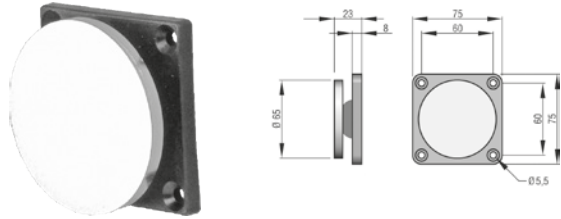
Anchor plate	Art. no.
ASS 55	5030000727



Anchor plate ASS 65 suitable for THM 425

- **Anchor plate:** Ø 65 mm x 5 mm
- **Rubber mounting:** 8 mm
- **Pivot range:** 20°

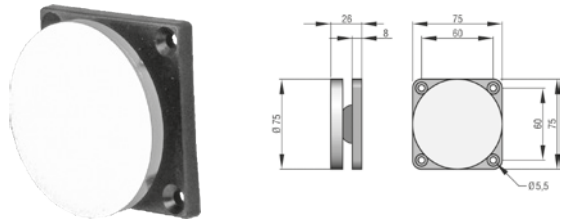
Anchor plate	Art. no.
ASS 65	5030000728



Anchor plate ASS 75 suitable for THM 425-1

- **Anchor plate:** Ø 75 mm x 5 mm
- **Rubber mounting:** 8 mm
- **Pivot range:** 20°

Anchor plate	Art. no.
ASS 75	5030000788



ECO Schulte GmbH & Co. KG

Iserlohner Landstraße 89

D-58706 Menden

Telephone +49 2373 9276 - 0

Telefax +49 2373 9276 - 40

info@eco-schulte.de

www.eco-schulte.de

Our compendium represents a compilation of all products from our range of services. These are subject to different delivery classes. Special variants included are often manufactured to customer specifications and sometimes require longer delivery times and minimum purchase quantities. Further advise can be given by your contact person.

■ SYSTEM TECHNOLOGY FOR THE DOOR

