

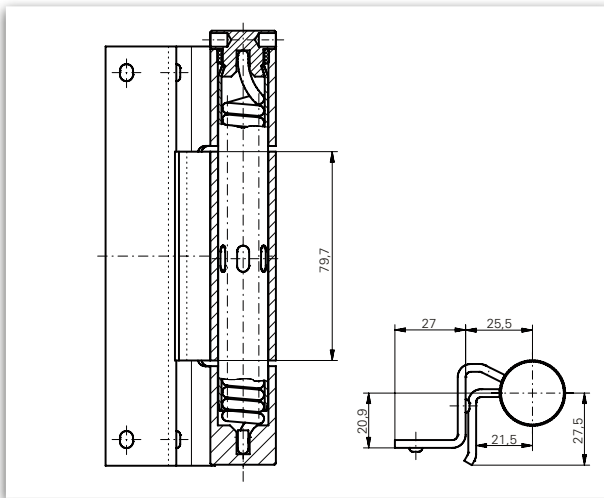
Standard set SET



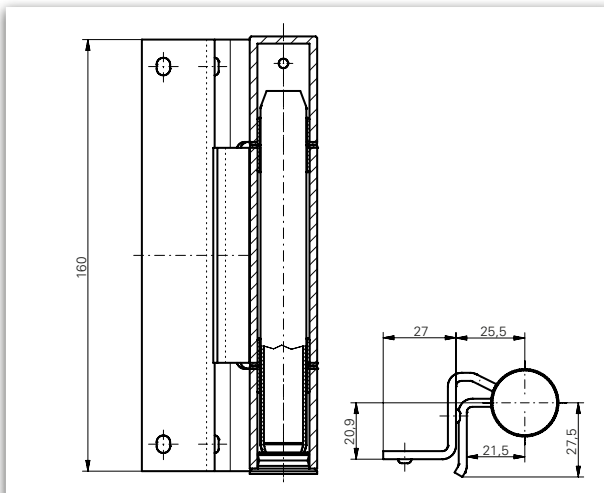
Performance criteria

Size		160 mm
Ø knuckle		25 mm
Material thickness		3 mm
DIN-L / DIN-R		Yes
Frame type	Steel	Yes
Suitable for fire doors	<b>F</b>	Yes
Load-bearing class 12 (door weight)	Spring hinge max.	80 kg
	KO hinge <b>EN 1935</b>	100 kg
	according to standard <b>DIN 18 272</b> *	80 kg
Finishes	Steel zinc-plated frame and leaf parts	Yes
Hinge type	3-part weld-on hinge, laser-welded	
Bearing technology	Friction bearing	-
	Ball bearing	Yes
Attachment	Welded on the frame, welded on the leaf	

■ Yes - No \*On the basis of



Spring hinge



KO hinge

ECO standard set

**3-part weld-on hinge, (3 mm)**  
**EN 1935: Class 12 / 80 (100) kg**

**Description:** ECO spring / construction hinge set

**Spring hinge:** DIN 18272

**KO hinge:** Acc. to EN 1935

**Mounting:** Easy assembly of the hinge parts by means of the hinge bolt


**Purpose of application:**

For use on doors with smoke and fire protection requirements as well as on emergency exit doors. As a pure construction hinge set (KO), also suitable for heavy doors.

**Laser-welded steel hinges ■ Standard set ■ 3 mm**



**F** **DIN 18 272**

 Steel door

ECO standard set	Material	Material thickness	Dimensions	Art. no.
<b>Spring hinge / KO hinge set</b>	St.Zk	3 mm	Ø 25 x 160 mm	On request



**F** **DIN 18 272**

 Steel door

ECO standard set	Material	Material thickness	Dimensions	Art. no.
<b>Spring hinge</b>	St.Zk	3 mm	Ø 25 x 160 mm	On request



**F** **EN 1935** **DIN 18 272**

 Steel door

ECO standard set	Material	Material thickness	Dimensions	Art. no.
<b>KO hinge</b>	St.Zk	3 mm	Ø 25 x 160 mm	On request

**ECO Schulte GmbH & Co. KG**

Iserlohner Landstraße 89

D-58706 Menden

Telephone +49 2373 9276 - 0

Telefax +49 2373 9276 - 40

[info@eco-schulte.de](mailto:info@eco-schulte.de)

[www.eco-schulte.de](http://www.eco-schulte.de)

Our compendium represents a compilation of all products from our range of services. These are subject to different delivery classes. Special variants included are often manufactured to customer specifications and sometimes require longer delivery times and minimum purchase quantities. Further advise can be given by your contact person.

## ■ SYSTEM TECHNOLOGY FOR THE DOOR

